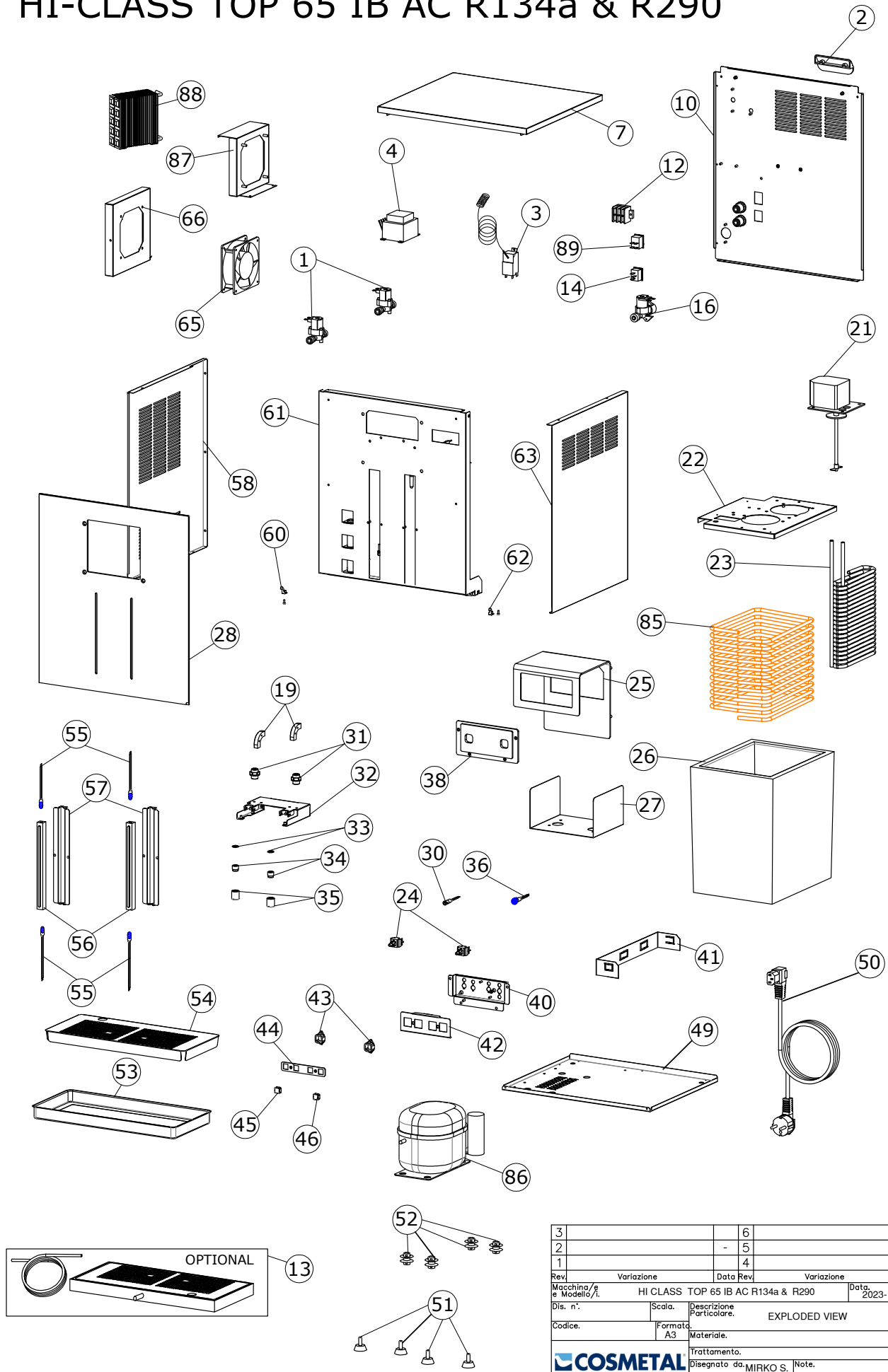


RESERVEDELER COSMETAL HI-CLASS TOP 65



HI-CLASS TOP 65 IB AC R134a & R290



3		6		
2		5		
1		4		
Rev.	Variazione	Data Rev	Variazione	Data
Macchina/e e Modello/i			HI CLASS TOP 65 IB AC R134a & R290	
Dis. n°			Scala	
Codice			Descrizione Particolare	
Formato			Materiale	
Trattamento			Disegnato da	
Nome File			.DWG	

Beskrivelse

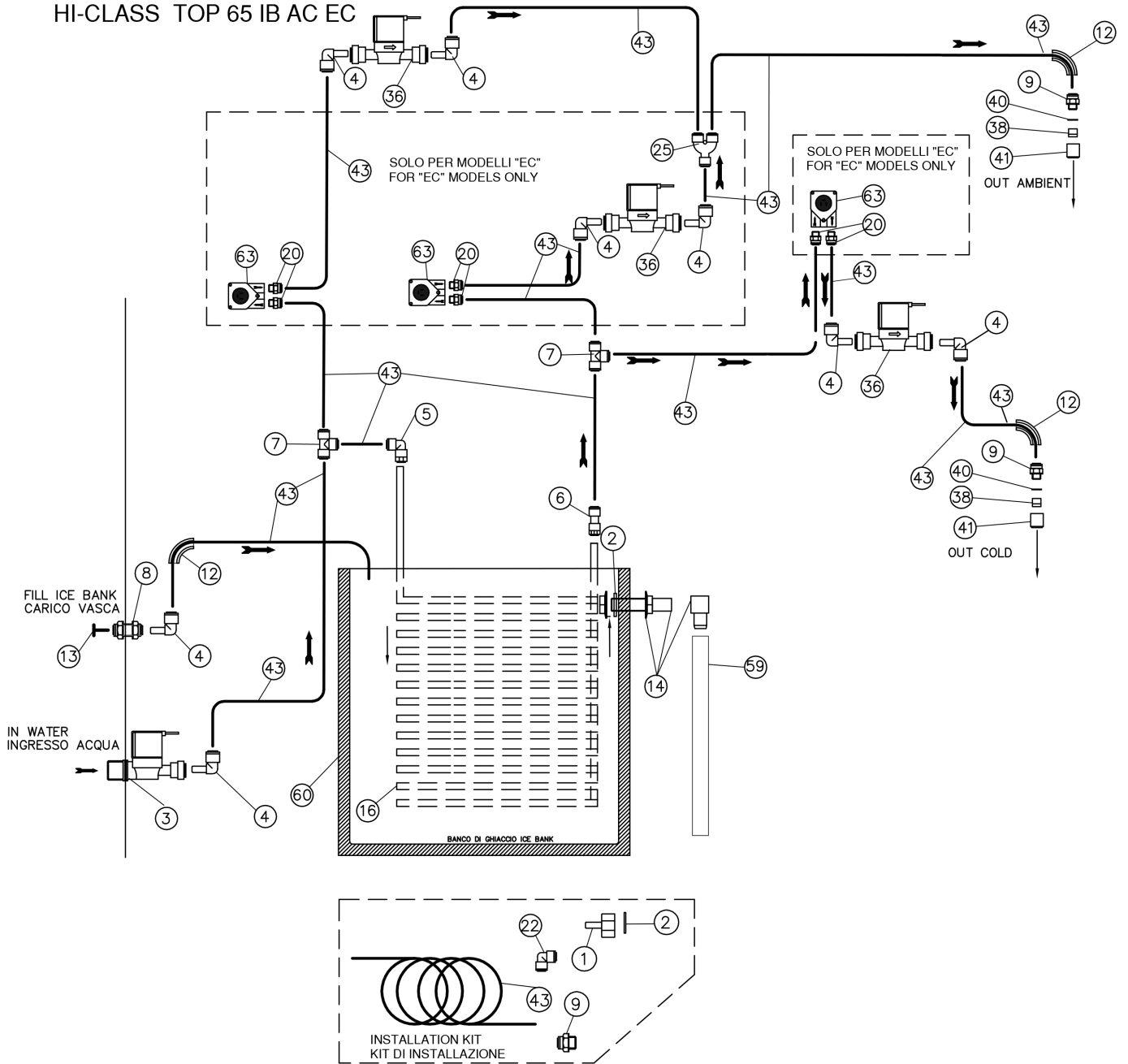
POS:	COSMETAL	CELLI	DESCRIPTION
1	2641143 226274	208893 226274	Solenoid valve in/out JG8-1/4FF 24VAC Alternative solenoid valve in/out JG8 24VAC
2	305183	305183	Black handle
3	3824929 306645	207955 306645	Thermostat for ice bank R134a Thermostat for ice bank R290
4	3825101009	207957	Transformer 230-24VAC 30VA
7	303459 303460	303459 303460	Black top Hi-Class 65 White top Hi-Class 65
10	303458	303458	Rear panel Hi-Class 65
12	306552	306552	Terminal block
13	302155	302155	Optional kit drip tray Hi-Class 65
14	3824515	040963	IEC power connector
16	2641138	209443	Safety solenoid valve 3/4M-8 24VAC
19	304383	304383	Pipe curve 8-5/16
21	17613010	208172	Agitator 230/1/50 short
22	303471	303471	Ice bank cover
23	1601327	302636	Water coil stainless steel
24	208167	208167	Button 4 pins
25	303476	303476	Dispensing head brushed stainless steel
26	280676	280676	Tank ice bank
27	303475	303475	Cover for dispensing head
28	305641 305640	305641 305640	Front panel black Hi-Class 65 Front panel white Hi-Class 65
30	3824534	208138	White LED
31	2521360	271982	Straight adaptor JG8-3/8M PM010813E
32	303474	303474	Dispensing head support
33	2661526	304943	Gasket for aerator
34	2521120	304252	Aerator
35	2521119	304251	Nozzle stainless steel
36	3824533	208164	Blue LED
38	308132	308132	Plastic plate dispensing 2 holes
40	303477	303477	Support for buttons
41	303469	303469	Ice bank support
42	303478	303478	Dispensing support
43	305554	305554	Light button diffuser
44	303479	303479	Dispensing closure
45	307994	307994	Button 14x14 black print "A"
46	210179	210179	Button 14x14 black print "F"
49	303456	303456	Base for Hi-Class 65
50	3821718	306071	Shuko power cord
51	2781315	271999	Adjustable feet M8 ø30
52	272026	272026	Anti-vibration support for compressor
53	305509	305509	Drip tray 400x180 Stainless steel
54	303467	303467	Grille for drip tray Hi-Class 65
55	3824540	306641	Blue LED IP65
56	305631	305631	Plastic front light diffuser Hi-Class 20/30/65

Beskrivelse

POS:	COSMETAL	CELLI	DESCRIPTION
57	226091	226091	Bracket plastic front light
58	303463 303464	303463 303464	Left panel black Hi-Class 65 Left panel white Hi-Class 65
60	303468	303468	Fixing left panel Hi-Class 65
61	303457	303457	Front panel Hi-Class 65
62	303466	303466	Fixing right front panel Hi-Class 65
63	303461 303462	303461 303462	Right panel black Hi-Class 65 Right panel white Hi-Class 65
65	1761101603	208080	Condenser fan motor 120x120x38 230/1/50
66	303975	303975	Conveyor for condenser R134a
85	302754 302639	302754 302639	Evaporator copper for R290 Evaporator for R134a
86	302493 208940	302493 208940	Compressor Secop TL3CN R290 230/1/50 Compressor Danfoss TL4G for R134a
87	303546	303546	Conveyor for Hi-Class 65 R290
88	083615 C01617	083615 031358	Double layer condenser for R290 Condenser LUVÉ STFT 12118 for R134a
89	3822714 215789	208160 215789	Main switch green for R134a Main switch black for R290

Hydrotegning Hi-Class 65 IB AC

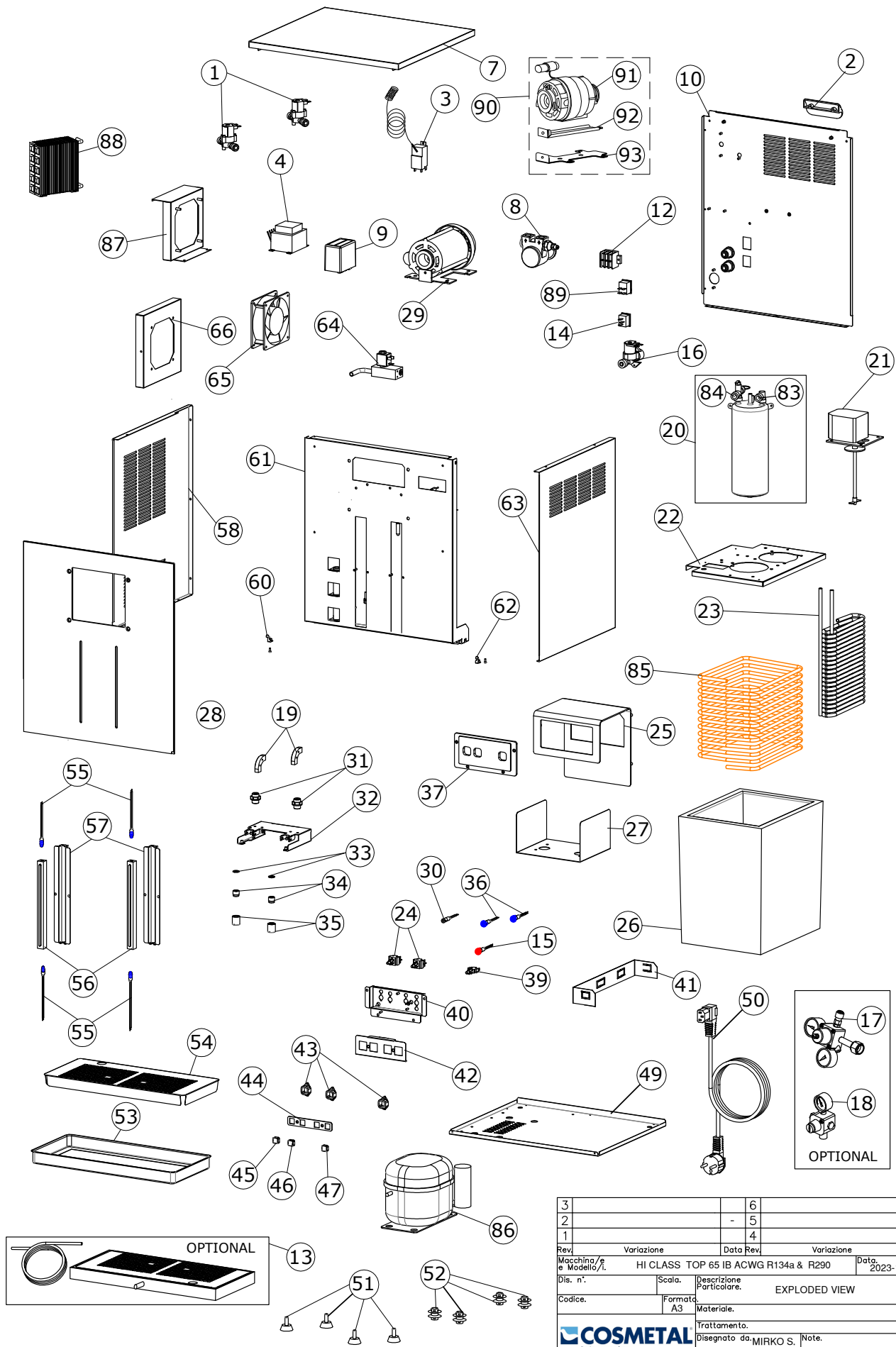
HI-CLASS TOP 65 IB AC
HI-CLASS TOP 65 IB AC EC



Beskrivelse

POS:	COSMETAL	CELLI	DESCRIPTION
1	2521442	304387	Straight 3/4F-8 QRC08F3-4/CS
2	2661711	304953	Gasket 3/4
3	2641138 121291	209443 121291	Inlet safety valve 24VAC 3/8M-JG8 Alternative inlet safety valve 24VAC 3/8M-JG8
4	046469	046469	Stem Elbow 8-8 PM220808E
5	039747	039747	Elbow super seal 5/16-5/16 SM030808S
6	056183	056183	Straight super seal 5/16-5/16 SM040808S
7	2521364	046156	TEE fitting 8 PM0208E
8	2521371	007444	Bulkhead connector 8-8 NC2500-P
9	2521360	271982	Straight fitting 3/8M-8 PM010813E
12	011256	011256	Flow bend clip 8 PM2608S
13	2521372	272074	Closure 8 mm
14	2521432	304380	Drainage fitting
16	302636	302636	Water coil Hi-Class 65
20	2521362	007362	Straight adaptor 1/4M-8 PM010812E
22	2521367	272166	Equal elbow 8-8 PM0308E
25	069514	069514	Y-fitting 8-8-8 RM2308E
36	2641143 226274	208893 226274	RPE solenoid valve JG8-8 24VAC Alternative EKI solenoid valve JG8-8 24VAC
38	2521120	304252	Aerator
40	2661526	304943	Gasket for perlator
41	2521119	304251	Nozzle in stainless steel
43	088113	088113	LLDPE pipe ø8
59	069840	069840	Silicone tube for drainage
60	280676	280676	Ice bank Hi-Class 65
63	208127	208127	Flow meter 1/4FF in plastic

HI-CLASS TOP 65 IB ACWG R134a & R290



3		6		
2		-	5	
1			4	
Rev.	Variazione	Data Rev.	Variazione	Data
Macchina/e e Modello/I.		HI CLASS TOP 65 IB ACWG R134a & R290		Data.
Dis. n°.		Scala.	Descrizione Particolare.	
Codice.		Formato.	Materiale.	
		A3	Trattamento.	
			Disegnato da: MIRKO S. Note.	
			Nome File .DWG.	

Beskrivelse

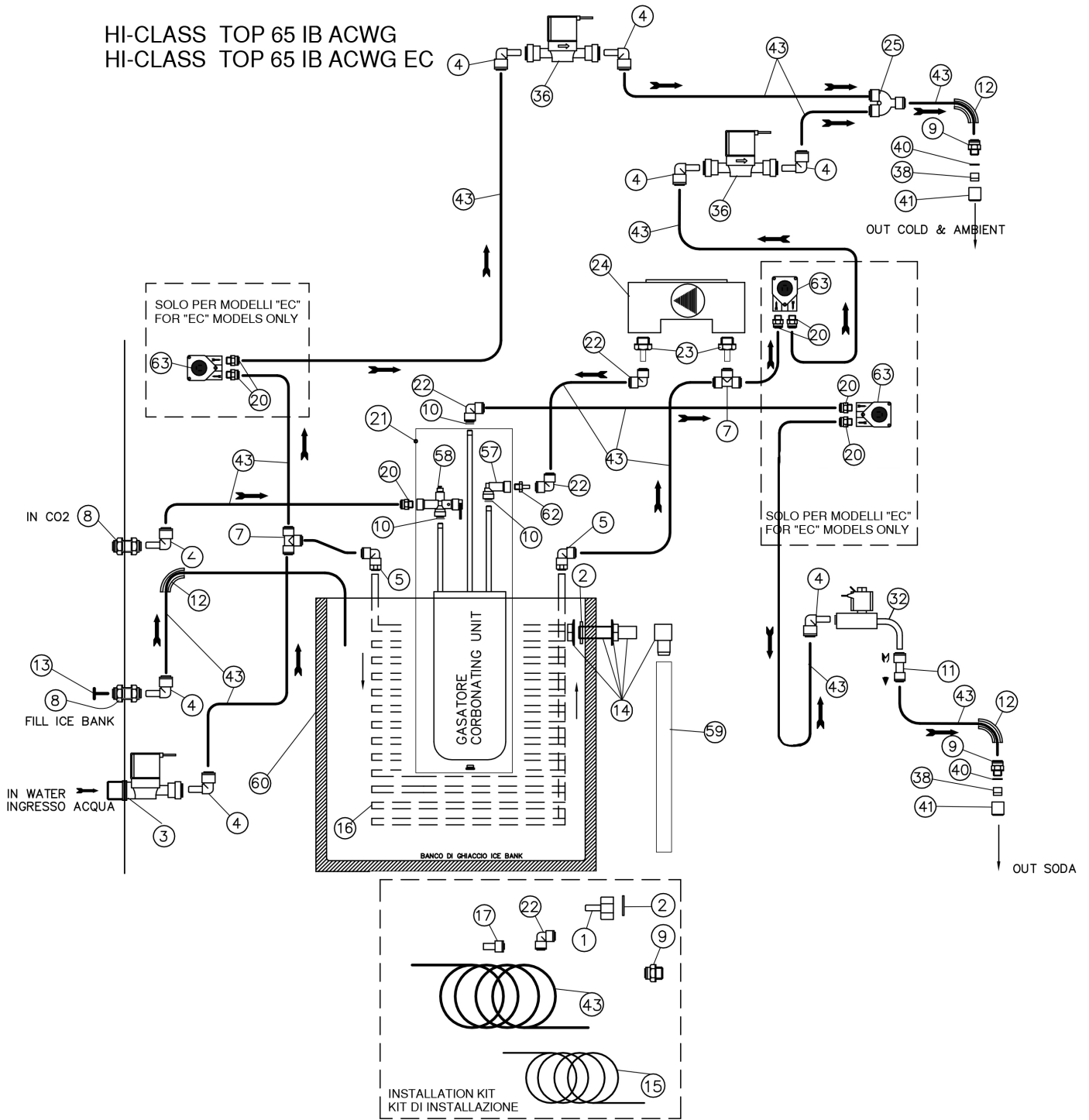
POS:	COSMETAL	CELLI	DESCRIPTION
1	2641143 226274	208893 226274	Solenoid valve in/out JG8-1/4FF 24VAC Alternative solenoid valve in/out JG8 24VAC
2	305183	305183	Black handle
3	3824929 306645	207955 306645	Thermostat for ice bank R134a Thermostat for ice bank R290
4	3825101009	207957	Transformer 230-24VAC 30VA
7	303459 303460	303459 303460	Black top Hi-Class 65 White top Hi-Class 65
8	1761514002	207937	Brass pump 200l/h 3/8FF
9	209612	209612	Level control 3821956
10	303458	303458	Rear panel Hi-Class 65
12	306552	306552	Terminal block
13	302155	302155	Optional kit drip tray Hi-Class 65
14	3824515	040963	IEC power connector
15	306635	306635	Red LED
16	2641138 226271	209443 226271	Safety solenoid valve 3/4M-8 24VAC Alternative EKI safety solenoid valve 3/4M-8 24VAC
17	090026	208171	CO2 pressure reducer double gauge B-RIB
18	207930 208190 208131	207930 208190 208131	Optional pressure reducer for CO2 for rechargeable bottle Connection fitting 6 mm Optional pressure reducer for CO2 for single use bottle connection plastic fitting 6 mm Optional pressure reducer for CO2 for single use bottle connection brass fitting 6 mm
19	304383	304383	Pipe curve 8-5/16
20	308960	308960	Carbonator 1l + probe + brackets
21	17613010	208172	Agitator 230/1/50 short
22	303471	303471	Ice bank cover
23	1601327	302636	Water coil stainless steel
24	208167	208167	Button 4 pins
25	303476	303476	Dispensing head brushed stainless steel
26	280676	280676	Tank ice bank
27	303475	303475	Cover for dispensing head
28	305641 305640	305641 305640	Front panel black Hi-Class 65 Front panel white Hi-Class 65
29	208157	208157	RPM motor for pump 230/1/50 for R134a
30	3824534	208138	White LED
31	2521360	271982	Straight adaptor JG8-3/8M PM010813E
32	303474	303474	Dispensing head support
33	2661526	304943	Gasket for aerator
34	2521120	304252	Aerator
35	2521119	304251	Nozzle stainless steel
36	3824533	208164	Blue LED
37	308131	308131	Plastic plate dispensing 3 holes
39	306377	306377	Button 2 pins
40	303477	303477	Support for buttons
41	303469	303469	Ice bank support
42	303478	303478	Dispensing support
43	305554	305554	Light button diffuser
44	303479	303479	Dispensing closure
45	307994	307994	Button 14x14 black print "A"
46	210179	210179	Button 14x14 black print "F"
47	307997	307997	Button 14x14 black print "WG"
49	303456	303456	Base for Hi-Class 65

Beskrivelse

POS:	COSMETAL	CELLI	DESCRIPTION
50	3821718	306071	Shuko power cord
51	2781315	271999	Adjustable feet M8 ø30
52	272026	272026	Anti-vibration support for compressor
53	305509	305509	Drip tray 400x180 Stainless steel
54	303467	303467	Grille for drip tray Hi-Class 65
55	3824540	306641	Blue LED IP65
56	305631	305631	Plastic front light diffuser Hi-Class 20/30/65
57	226091	226091	Bracket plastic front light
58	303463	303463	Left panel black Hi-Class 65
	303464	303464	Left panel white Hi-Class 65
60	303468	303468	Fixing left panel Hi-Class 65
61	303457	303457	Front panel Hi-Class 65
62	303466	303466	Fixing right front panel Hi-Class 65
63	303461	303461	Right panel black Hi-Class 65
	303462	303462	Right panel white Hi-Class 65
65	1761101603	208080	Condenser fan motor 120x120x38 230/1/50
66	303975	303975	Conveyor for condenser R134a
83	2521419	304369	Water inlet piping carbonator
84	2521418	304368	CO2 inlet piping carbonator
	2641527	304902	Probe 112 mm + plastic ring
	2641526	207944	Safety pressure valve
85	302754	302754	Evaporator copper for R290
	302639	302639	Evaporator for R134a
86	302493	302493	Compressor Secop TL3CN R290 230/1/50
	208940	208940	Compressor Danfoss TL4G for R134a
87	303546	303546	Conveyor for Hi-Class 65 R290
88	083615	083615	Double layer condenser for R290
	C01617	031358	Condenser LUVÉ STFT 12118 for R134a
89	3822714	208160	Main switch green for R134a
	215789	215789	Main switch black for R290
90	214571	214571	Complete motor kit
91	216019	216019	SISME motor 230/1/50
92	213803	213803	Bracket
93	213957	213957	Base bracket for motor

Hydrotegning Hi-Class 65 IB ACWG

HI-CLASS TOP 65 IB ACWG
 HI-CLASS TOP 65 IB ACWG EC



Beskrivelse

POS:	COSMETAL	CELLI	DESCRIPTION
1	2521442	304387	Straight 3/4F-8 QRC08F3-4/CS
2	2661711	304953	Gasket 3/4
3	2641138 121291	209443 121291	Inlet safety valve 2xVAC 3/8M-JG8 Alternative inlet safety valve 24VAC 3/8M-JG8
4	046469	046469	Stem Elbow 8-8 PM220808E
5	039747	039747	Elbow super seal 5/16-5/16 SM030808S
7	2521364	046156	TEE fitting 8 PM0208E
8	2521371	007444	Bulkhead connector 8-8 NC2500-P
9	2521360	271982	Straight fitting 3/8M-8 PM010813E
10	272035	272035	Red clip 1/4
11	304287	304287	Straight reducer 10-8
12	011256	011256	Flow bend clip 8 PM2608S
13	2521372	272074	Closure 8 mm
14	2521432	304380	Drainage fitting
15	272038	272038	LLDPE tube ø6
16	302636	302636	Water coil Hi-Class 65
17	2521453	272104	Straight reducer Stem 8 - tube 6 PM060806E
20	2521362	007362	Straight adaptor 1/4M-8 PM010812E
21	308960	308960	Carbonator + probe
22	2521367	272166	Equal elbow 8-8 PM0308E
23	007446	007446	Straight 3/8M-Stem 8 PM050813E
24	1761514002	207937	Brass pump 200l/h
25	069514	069514	Y-fitting 8-8-8 RM2308E
32	2641149	304844	Solenoid valve for sparkling water
36	2641143 226274	208893 226274	RPE solenoid valve JG8-8 24VAC Alternative EKI solenoid valve JG8-8 24VAC
38	2521120	304252	Aerator
40	2661526	304943	Gasket for perlator
41	2521119	304251	Nozzle in stainless steel
43	088113	088113	LLDPE pipe ø8
57	2521419	304369	Inlet water piping for carbonator
58	2521418 304410 2641527 2641526	304368 304410 304902 207944	CO2 inlet piping for carbonator No return valve DW10 112 mm probe + bushing Security valve
59	069840	069840	Silicone tube for drainage
60	280676	280676	Ice bank Hi-Class 65
62	2521394	304349	Straight 1/4M-stem 8 PM050812E
63	208127	208127	Flow meter 1/4FF in plastic



FESTIVO
PORKKA

Colia AS - et selskap i Festivo Porkka Group

Gruppen har en samlet omsetning på cirka NOK 500 millioner og sysselsetter omtrent 300 personer. Vi er representert i UK, Sverige, Norge, Øst Europa og Sentral Europa. Hovedkontoret samt fabrikker er lokalisert i Finland.

Alle produktene i Porkka`s sortiment selges kun gjennom Colia AS.
I tillegg importerer vi kjente merkevarer som Migel (Porkka) ismaskiner, Sinofcold, Liebherr, Igloo, Asber, Cosmetal, Vestfrost, Elcold osv.

Vår visjon er å levere produkter med høy kvalitet og yte god service til våre kunder.

°COLIA

Colia AS
Ringeriksveien 16, 3414 Lierbyen

post@colia.no | www.colia.no | +47 66 98 77 77