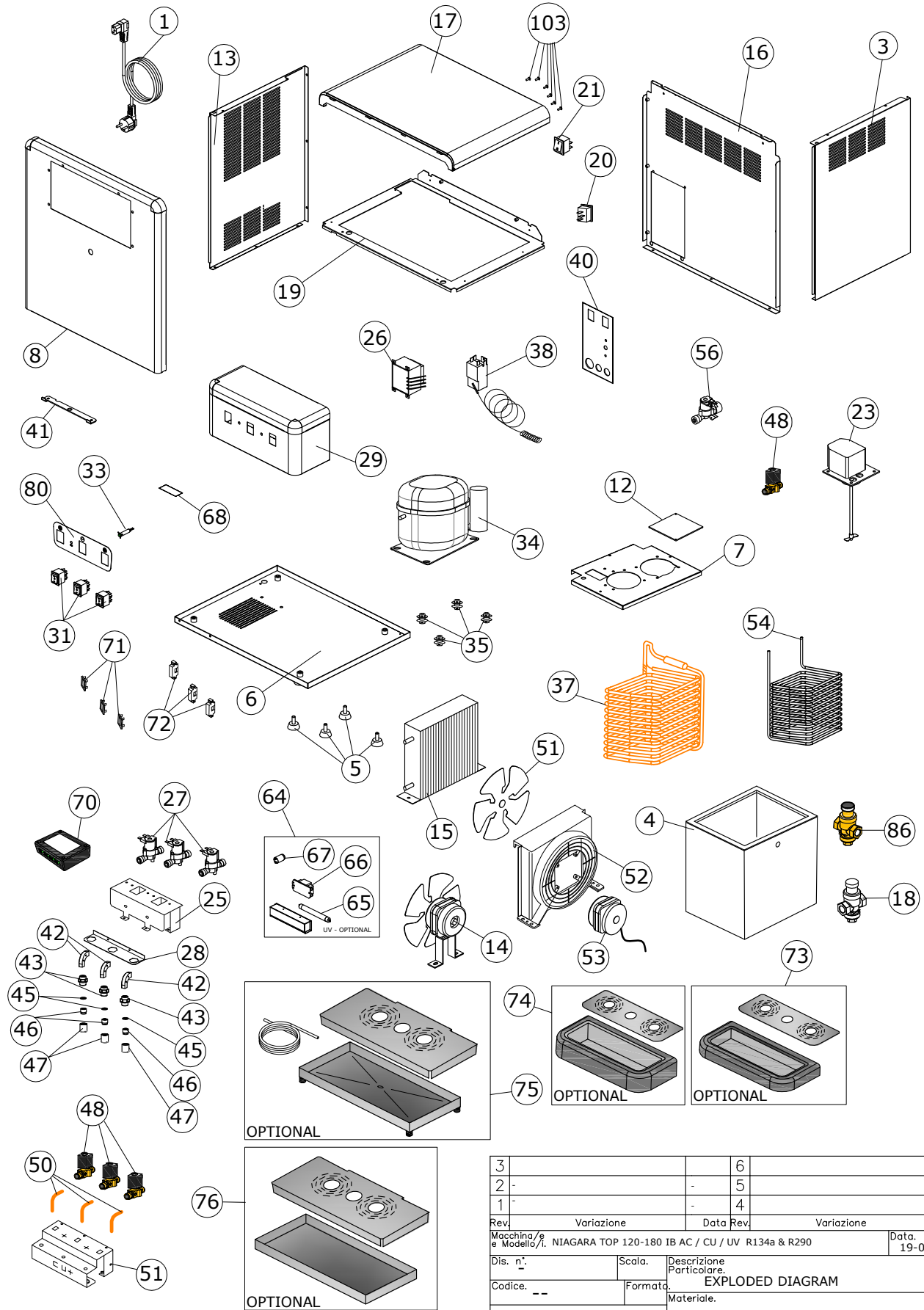



## RESERVEDELER COSMETAL NIAGARA TOP 120 og 180



## NIAGARA TOP 120-180 IB AC / CU / UV R134a & R290



3		6		
2		5		
1		4		
Rev.	Variazione	Data Rev.	Variazione	Data
Macchina/e e Modello/i. NIAGARA TOP 120-180 IB AC / CU / UV R134a & R290				Data. 19-01-2024
Dis. n°	Scala.	Descrizione Particolare. EXPLODED DIAGRAM		
Codice. --	Formato.	Materiale.		
		Trattamento.		
		Disegnato da. M.S.		Note.
		Nome File .DWG.		

# Beskrivelse

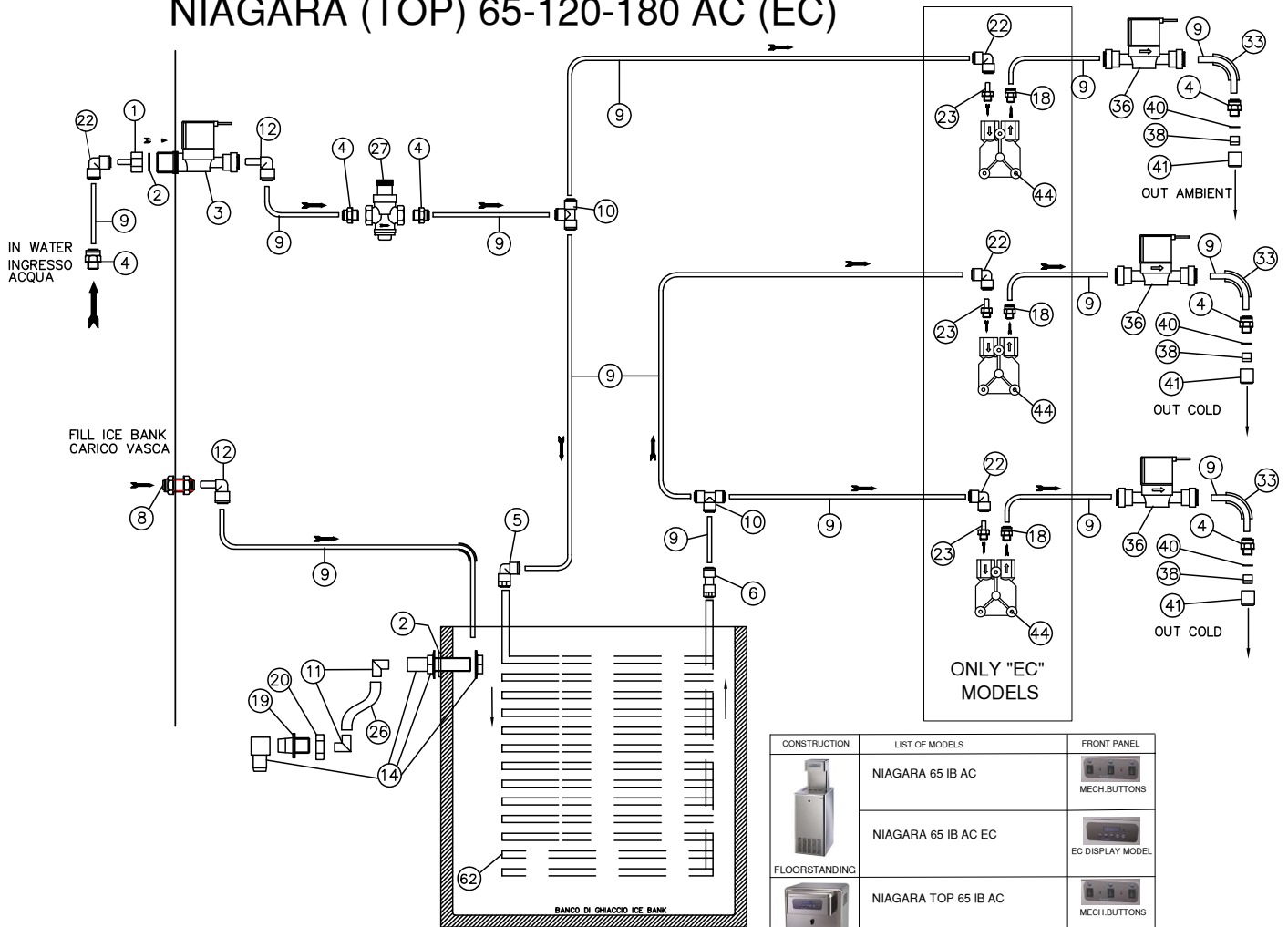
POS:	COSMETAL	CELLI	DESCRIPTION
1	3821718	306071	Shuko power cord
3	304103	304103	Side panel right stainless steel
4	1702758 1702759	303783 303784	Tank Niagara 120 Tank Niagara 180
5	271999	271999	Adjustable feet M8
6	1704165 1704171	304091 304062	Base TOP 120 Base top 180
7	303860 303954	303860 303954	Support ice bank Niagara 120 Support ice bank Niagara 180
8	1704166 1704172	308074 308075	Front panel TOP 120 included corners Front panel TOP 180 included corners
12	303963	303963	Metal cover for hole
13	304104	304104	Side panel left stainless steel
14	87001012	304189	Condenser fan complete 230/1/50-10W for 120 and 180 R134a
15	1601130	031360	Condenser for Niagara 120 and 180
16	1704167 1704173	304094 304100	Rear panel TOP 120 Rear panel TOP 180
17	308070 308072	308070 308072	Top panel 120 stainless steel included reinforcement Top panel 180 stainless steel included reinforcement
18	2521515	208095	Water pressure reducer 3/8FF
19	304095 304101	304095 304101	Frame for Niagara TOP 120 Frame for Niagara TOP 180
20	3824515	040963	IEC power connector
21	3822714 215789	208160 215789	Main switch green for R134a Main switch black for R290
23	17613008	207936	Agitator 230/1/50 long for 120 and 180
25	304067	304067	Bracket for solenoid valves
26	3825101009 306663	207957 306663	Transformer 230V - 24V 30VA Transformer 230V - 24V 40VA
27	2641143 226274	208893 226274	Solenoid valve RPE JG8 in - out 24V Alternative solenoid valve EKI JG8 in - out 24V
28	304066	304066	Bracket for outlet fittings
29	815613003	307932	Push button crosspiece for 3 buttons
31	3822719	207953	Push button switch I - 0 - II
33	815614021	306632	Green light 230/1/50
34	1581176 302487	210224 302487	Compressor 230/1/50-60Hz NL10MF R134a Compressor 230/1/50-60Hz DLE7,5CN R290
35	272026	272026	Anti-vibration support for compressor
37	1601331 302755 1601332 302848	302640 302755 302641 302848	Evaporator Niagara 120 for R134a Evaporator Niagara 120 for R290 Evaporator Niagara 180 for R134a Evaporator Niagara 180 for R290
40	304055	304055	Control plate Niagara TOP
41	305508	305508	Bracket for tray fixing stainless steel
42	011256	011256	Pipe curve 8 - 5/16
43	2521360	271982	Straight fitting 3/8M-8
45	2661526	304943	Gasket for perlator
46	2521120	304252	Aerator perlator
47	2521119	304251	Nozzle stainless steel
48	304836 304819	304836 304819	Brass solenoid valve Olab 24VAC 1/8FF Alternative CEME brass solenoid valve 24VAC 1/8FF
50	302716	302716	Outlet pipe copper ø8

## Beskrivelse

POS:	COSMETAL	CELLI	DESCRIPTION
51	304117 005613	304117 005613	Bracket for solenoid valves CU+ Fan blade condenser fan 200 mm 28° pushing
52	302617	302617	Plastic conveyor for R290
53	304194	304194	Condenser fan motor for R290
54	1601328 302721 1601329 302723	302637 302721 302638 302723	Water coil stainless steel Niagara 120 Water coil copper Niagara 120 Water coil stainless steel Niagara 180 Water coil copper Niagara 180
56	2641138 226271	209443 226271	Safety solenoid valve 24VAC 3/4M-JG8 Alternative safety solenoid valve EKI 24VAC JG8 in - out
64	099036	301874	Complete UV box 230/1/50
65	3822913	306396	UV lamp 4W
66	3822501	210103	Feeder 230/1/50
67	3822503	306334	Starter 230/1/50
68	2781561	208174	UV plastic protection
70	107924	107924	Touch less PCB main board
71	107863 107862	107863 107862	Clip (int) Clip (ext)
72	107870	107870	Omron light on sensor
73	090023 206845	206845 206849	Drip tray VR-P complete low without drainage Drip tray VR-P2 complete low included drainage
74	301900 301901	301900 301901	Drip tray VR-PA complete high without drainage Drip tray VR-PA2 complete high included drainage
75	209529	209529	Drip tray VR-IS2 complete in stainless steel included drainage
76	099113	206863	Drip tray VR-IS complete in stainless steel without drainage
80	307087	307087	Adhesive plate Niagara AC
86	304447	304447	Water pressure reducer in yellow brass 3/8FF
103	271992	271992	Screw M4 x 10 stainless steel

# Hydrotegning Niagara TOP 120 og 180 IBAC

## NIAGARA (TOP) 65-120-180 AC (EC)

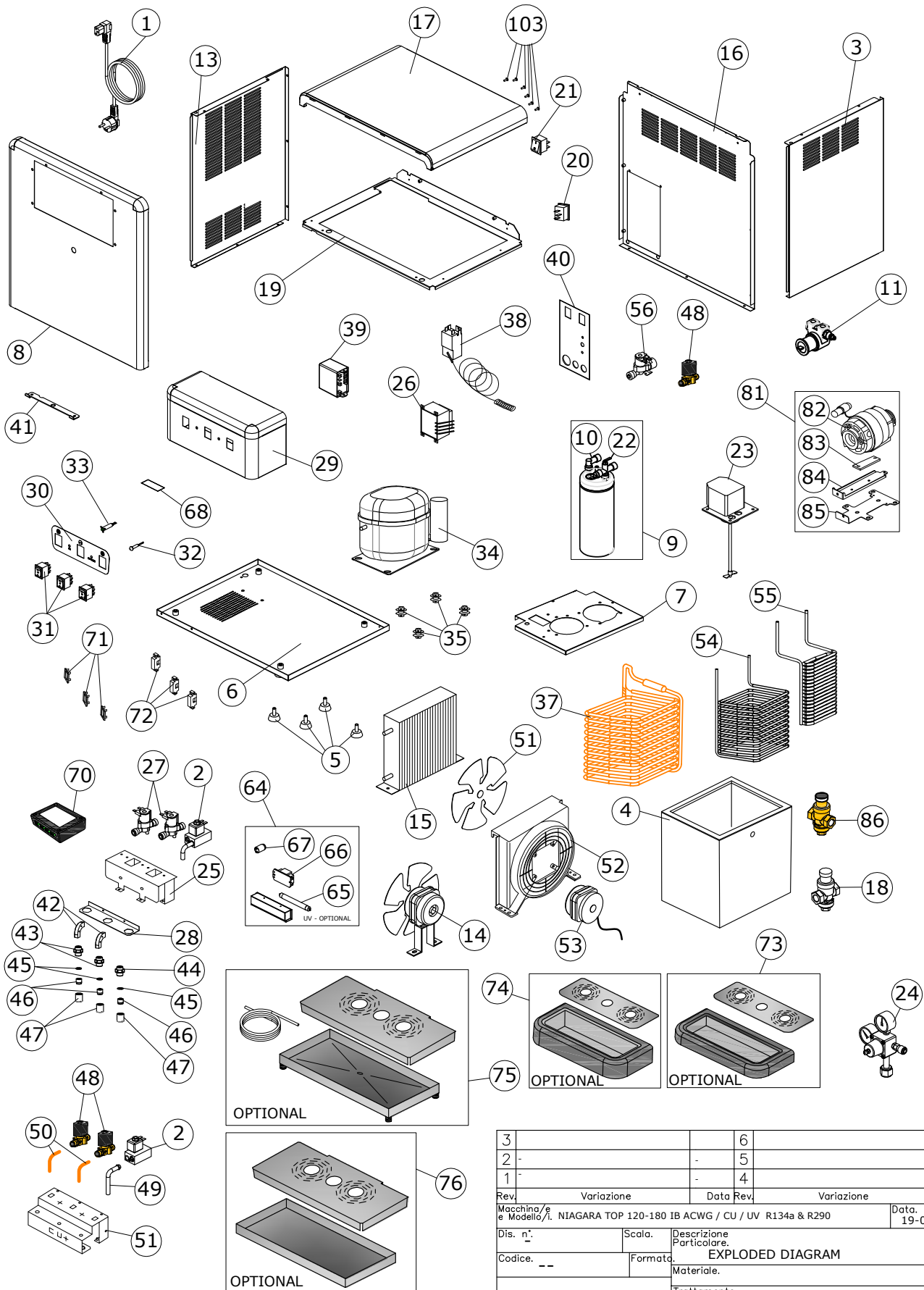


CONSTRUCTION	LIST OF MODELS	FRONT PANEL
FLOORSTANDING	NIAGARA 65 IB AC	MECH.BUTTONS
	NIAGARA 65 IB AC EC	EC DISPLAY MODEL
TOP	NIAGARA TOP 65 IB AC	MECH.BUTTONS
	NIAGARA TOP 65 IB AC EC	EC DISPLAY MODEL

## Beskrivelse

POS:	COSMETAL	CELLI	DESCRIPTION
1	2521442	304387	Inlet fitting 3/4F - STEM 8
2	2661711	304953	Gasket
3	209443 121291	209443 121291	Safety valve 24V 3/4M-JG8 Alternative safety valve CEME 24V 3/4M - JG8
4	2521360	007363	Straight adaptor 3/8M-8 PM010813E
5	2521433	039747	Elbow super seal 5/16 SM030808S
6	056183	056183	Straight super seal 5/16 SM040808S
8	2521371	007444	Bulkhead connector 8-8 PM1208E
9	2801363	088113	Tube 8 mm LLDPE
10	2521364	046156	TEE JG8 PM0208E
11	2621105	208114	Elbow white small
12	EW-PM220808E	046469	Stem elbow 8-8 PM220808E
14	2521432	304380	Drainage fitting
18	2521362	007362	Straight adaptor 1/4M-8 PM010812E
19	2521474	304405	Drainage connector
20	4741330	306681	Brass nut 1/4
22	2521367	067392	Equal elbow 8-8 PM0308E
23	2521394	304349	Stem Adaptor 1/4M - 8 PM050812E
26	272097	272097	Silicone tube
27	2521515	208095	Water pressure reducer
33	011256	011256	Flow bend clip 8-8 PM2608S
36	2641143 226274	208893 226274	Solenoid valve RPE 24V JG8 in - out Alternative solenoid valve EKI 24V JG8 in - out
38	2521120	304252	Plastic aerator
40	2661526	304943	Gasket for perlator
41	2521119	304251	Nozzle in stainless steel
44	208127	208127	Plastic flowmeter 1/4FF
62	302636 302638 302637	302636 302638 302637	Stainless steel water coil Niagara 65 Stainless steel water coil Niagara 180 Stainless steel water coil Niagara 120

## NIAGARA TOP 120-180 IB ACWG / CU / UV R134a & R290



3		6		
2		5		
1		4		
Rev.	Variazione	Data Rev.	Variazione	Data
Macchina/Modello/1. NIAGARA TOP 120-180 IB ACWG / CU / UV R134a & R290				Data. 19-01-2024
Dis. n°	Scala.	Descrizione Particolare. EXPLODED DIAGRAM		
Codice. --	Formato.	Materiale.		
COSMETAL		Trattamento.		
Drinking water solutions		Disegnato da. M.S.		Note.
		Nome File .DWG.		

# Beskrivelse

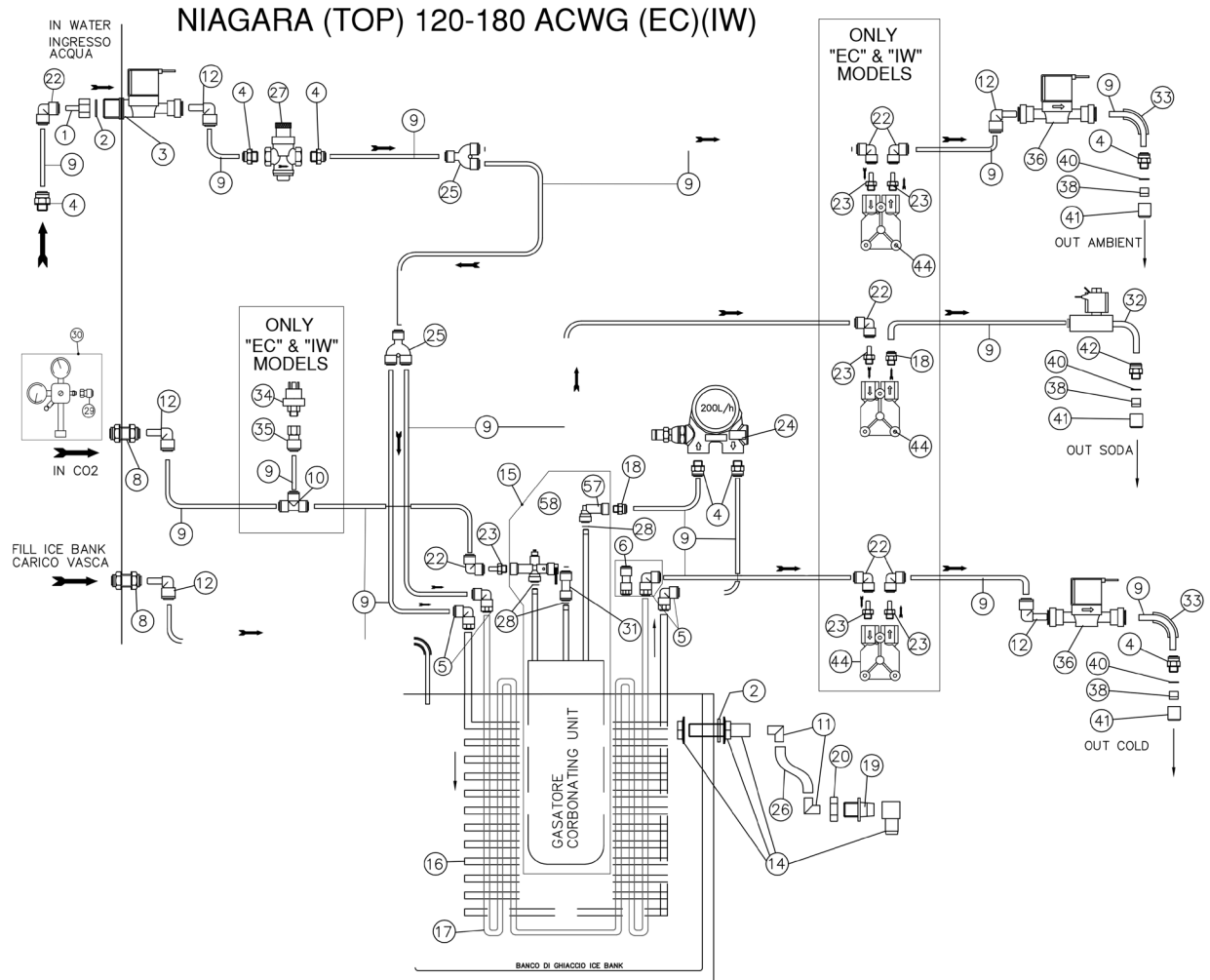
POS:	COSMETAL	CELLI	DESCRIPTION
1	3821718	306071	Shuko power cord
2	099198	304844	Solenoid valve for sparkling water 24V with flow regulator
3	304103	304103	Side panel right stainless steel
4	1702758 1702759	303783 303784	Tank Niagara 120 Tank Niagara 180
5	271999	271999	Adjustable feet M8
6	1704165 1704171	304091 304062	Base TOP 120 Base top 180
7	303860 303954	303860 303954	Support ice bank Niagara 120 Support ice bank Niagara 180
8	1704166 1704172	308074 308075	Front panel TOP 120 included corners Front panel TOP 180 included corners
9	82781169	308960	Carbonator complete 1l included probe with brackets
10	2521419	304369	In H2O fitting of the carbonator
11	1761514002	207937	Brass pump 200l/h 3/8FF
13	304104	304104	Side panel left stainless steel
14	87001012	304189	Condenser fan complete 230/1/50-10W for 120 and 180 R134a
15	1601130	031360	Condenser for Niagara 120 and 180
16	1704167 1704173	304094 304100	Rear panel TOP 120 Rear panel TOP 180
17	308070 308072	308070 308072	Top panel 120 stainless steel included reinforcement Top panel 180 stainless steel included reinforcement
18	2521515	208095	Water pressure reducer 3/8FF
19	304095 304101	304095 304101	Frame for Niagara TOP 120 Frame for Niagara TOP 180
20	3824515	040963	IEC power connector
21	3822714 215789	208160 215789	Main switch green for R134a Main switch black for R290
22	2521418 2641527 2521479 2641526	304368 304902 304410 304410	In CO2 fitting of the carbonator Probe 112 mm and bushing No return valve Safety pressure valve
23	17613008	207936	Agitator 230/1/50 long for 120 and 180
24	090026	222758	CO2 pressure reducer including fitting 8 mm
25	304067	304067	Bracket for solenoid valves
26	3825101009 306663	207957 306663	Transformer 230V - 24V 30VA Transformer 230V - 24V 40VA
27	2641143 226274	208893 226274	Solenoid valve RPE JG8 in - out 24V Alternative solenoid valve EKI JG8 in - out 24V
28	304066	304066	Bracket for outlet fittings
29	815613003	307932	Push button crosspiece for 3 buttons
30	307083	307083	ACWG push button adhesive
31	3822719	207953	Push button switch I - 0 - II
32	815614022	306542	Red light 230/1/50
33	815614021	306632	Green light 230/1/50
34	1581176 302487	210224 302487	Compressor 230/1/50-60Hz NL10MF R134a Compressor 230/1/50-60Hz DLE7,5CN R290
35	272026	272026	Anti-vibration support for compressor
37	1601331 302755 1601332 302848	302640 302755 302641 302848	Evaporator Niagara 120 for R134a Evaporator Niagara 120 for R290 Evaporator Niagara 180 for R134a Evaporator Niagara 180 for R290
38	3824929 306645	207955 306645	Thermostat for ice bank R134a Thermostat for ice bank R290











# Beskrivelse

POS:	COSMETAL	CELLI	DESCRIPTION
39	3821956	209612	Level controller PCB 230/1/50 3821956
40	304055	304055	Control plate Niagara TOP
41	305508	305508	Bracket for tray fixing stainless steel
42	011256	011256	Pipe curve 8 - 5/16
43	2521360	271982	Straight fitting 3/8M-8
44	2521370	304337	Straight fitting 3/8M-10
45	2661526	304943	Gasket for perlator
46	2521120	304252	Aerator perlator
47	2521119	304251	Nozzle stainless steel
48	304836 304819	304836 304819	Brass solenoid valve Olab 24VAC 1/8FF Alternative CEME brass solenoid valve 24VAC 1/8FF
49	305801	305801	Outlet stainless steel pipe ø10 for WG - CU
50	302716	302716	Outlet pipe copper ø8
51	304117 005613	304117 005613	Bracket for solenoid valves CU+ Fan blade condenser fan 200 mm 28° pushing
52	302617	302617	Plastic conveyer for R290
53	304194	304194	Condenser fan motor for R290
54	1601328 302721 1601329 302723	302637 302721 302638 302723	Water coil stainless steel Niagara 120 Water coil copper Niagara 120 Water coil stainless steel Niagara 180 Water coil copper Niagara 180
55	1601343 302722 1601344 302724	300098 302722 302694 302724	Second water coil stainless steel Niagara 120 Second water coil copper Niagara 120 Second water coil stainless steel Niagara 180 Second water coil copper Niagara 180
56	2641138 226271	209443 226271	Safety solenoid valve 24VAC 3/4M-JG8 Alternative safety solenoid valve EKI 24VAC JG8 in - out
64	099036	301874	Complete UV box 230/1/50
65	3822913	306396	UV lamp 4W
66	3822501	210103	Feeder 230/1/50
67	3822503	306334	Starter 230/1/50
68	2781561	208174	UV plastic protection
70	107924	107924	Touch less PCB main board
71	107863 107862	107863 107862	Clip (int) Clip (ext)
72	107870	107870	Omron light on sensor
73	090023 206845	206845 206849	Drip tray VR-P complete low without drainage Drip tray VR-P2 complete low included drainage
74	301900 301901	301900 301901	Drip tray VR-PA complete high without drainage Drip tray VR-PA2 complete high included drainage
75	209529	209529	Drip tray VR-IS2 complete in stainless steel included drainage
76	099113	206863	Drip tray VR-IS complete in stainless steel without drainage
81	307087	307087	Adhesive plate Niagara AC
82	216019	216019	SISME motor 230/1/50
83	213879	213879	Anti-vibration plate for SISME motor
84	213803	213803	Narrow bracket for motor
85	213957	213957	Lower bracket for motor
86	304447	304447	Water pressure reducer in yellow brass 3/8FF
103	271992	271992	Screw M4 x 10 stainless steel

# Hydrotegning Niagara TOP 120 or 180 IBACWG



CONSTRUCTION	LIST OF MODELS	FRONT PANEL	NOTE
 FLOORSTANDING	NIAGARA 120 IB ACWG NIAGARA 180 IB ACWG	 MECH. BUTTONS	
	NIAGARA 120 IB ACWG EC NIAGARA 180 IB ACWG EC	 EC DISPLAY MODEL	
 TOP	NIAGARA 120 IB ACWG EC IW NIAGARA 180 IB ACWG EC IW	 EC DISPLAY MODEL	INTELLI WATER MODEL
	NIAGARA TOP 120 IB ACWG NIAGARA TOP 180 IB ACWG	 MECH. BUTTONS	
	NIAGARA TOP 120 IB ACWG EC NIAGARA TOP 180 IB ACWG EC	 EC DISPLAY MODEL	
	NIAGARA TOP 120 IB ACWG EC IW NIAGARA TOP 180 IB ACWG EC IW	 EC DISPLAY MODEL	INTELLI WATER MODEL

## Beskrivelse

POS:	COSMETAL	CELLI	DESCRIPTION
1	2521442	304387	Inlet fitting 3/4F - STEM 8
2	2661711	304953	Gasket
3	209443 121291	209443 121291	Safety valve 24V 3/4M-JG8 Alternative safety valve CEME 24V 3/4M - JG8
4	2521360	007363	Straight adaptor 3/8M-8 PM010813E
5	2521433	039747	Elbow super seal 5/16 SM030808S
6	056183	056183	Straight super seal 5/16 SM040808S
8	2521371	007444	Bulkhead connector 8-8 PM1208E
9	2801363	088113	Tube 8 mm LLDPE
10	2521364	046156	TEE JG8 PM0208E
11	2621105	208114	Elbow white small
12	EW-PM220808E	046469	Stem elbow 8-8 PM220808E
14	2521432	304380	Drainage fitting
15	82781169	308960	Carbonating unit with brackets
16	1601329 1601328	302638 302637	Water coil stainless steel Niagara 180 Water coil stainless steel Niagara 120
17	1601344 1601343	302694 300098	Secondary water coil stainless steel Niagara 180WG Secondary water coil stainless steel Niagara 120WG
18	2521362	007362	Straight adaptor 1/4M-8 PM010812E
19	2521474	304405	Drainage connector
20	4741330	306681	Brass nut 1/4
22	2521367	067392	Equal elbow 8-8 PM0308E
23	2521394	304349	Stem Adaptor 1/4M - 8 PM050812E
24	1761514002	207937	Brass pump 200l/h 3/8FF
25	007050 069514	007050 069514	Y fitting 8 mm PM2308S Alternative Y divider 8 mm RM2308E
26	272097	272097	Silicone tube
27	2521515	208095	Water pressure reducer
28	053845	053845	Clip 5/16
29	011299	011299	Straight adaptor 7/16F-8 PM4508F4S
30	090026	304433	CO2 pressure reducer double gauge
31	2521365	068555	Straight connector 8-8 PM0408E
32	099198	304844	Solenoid valve sparkling water 24VAC JG8
33	011256	011256	Flow bend clip 8-8 PM2608S
34	306527	306527	CO2 pressure switch
35	304288	304288	Straight adaptor 1/4F-8 PM450812E
36	2641143 226274	208893 226274	Solenoid valve RPE 24V JG8 in - out Alternative solenoid valve EKI 24V JG8 in - out
38	2521120	304252	Aerator
40	2661526	304943	Gasket for perlator
41	2521119	304251	Nozzle stainless steel
42	304337	304337	Straight adaptor 3/8M-10 PM011013E
44	208127	208127	Plastic flowmeter 1/4FF
57	2521419 304410	304369 304410	H2O inlet fitting No return valve
58	2521418 2641527 2641138 304410	304368 304902 207944 304410	CO2 inlet fitting Probe 112 mm inclusive nut Safety pressure valve No return valve



FESTIVO  
**PORKKA**

**Colia AS - et selskap i Festivo Porkka Group**

Gruppen har en samlet omsetning på cirka NOK 500 millioner og sysselsetter omtrent 300 personer. Vi er representert i UK, Sverige, Norge, Øst Europa og Sentral Europa. Hovedkontoret samt fabrikker er lokalisert i Finland.

Alle produktene i Porkka`s sortiment selges kun gjennom Colia AS.  
I tillegg importerer vi kjente merkevarer som Migel (Porkka) ismaskiner, Sinofcold, Liebherr, Igloo, Asber, Cosmetal, Vestfrost, Elcold osv.

Vår visjon er å levere produkter med høy kvalitet og yte god service til våre kunder.

---

**°COLIA**

Colia AS  
Ringeriksveien 16, 3414 Lierbyen

post@colia.no | www.colia.no | +47 66 98 77 77