

## RESERVEDELER JCLASS TOP 30 & 45

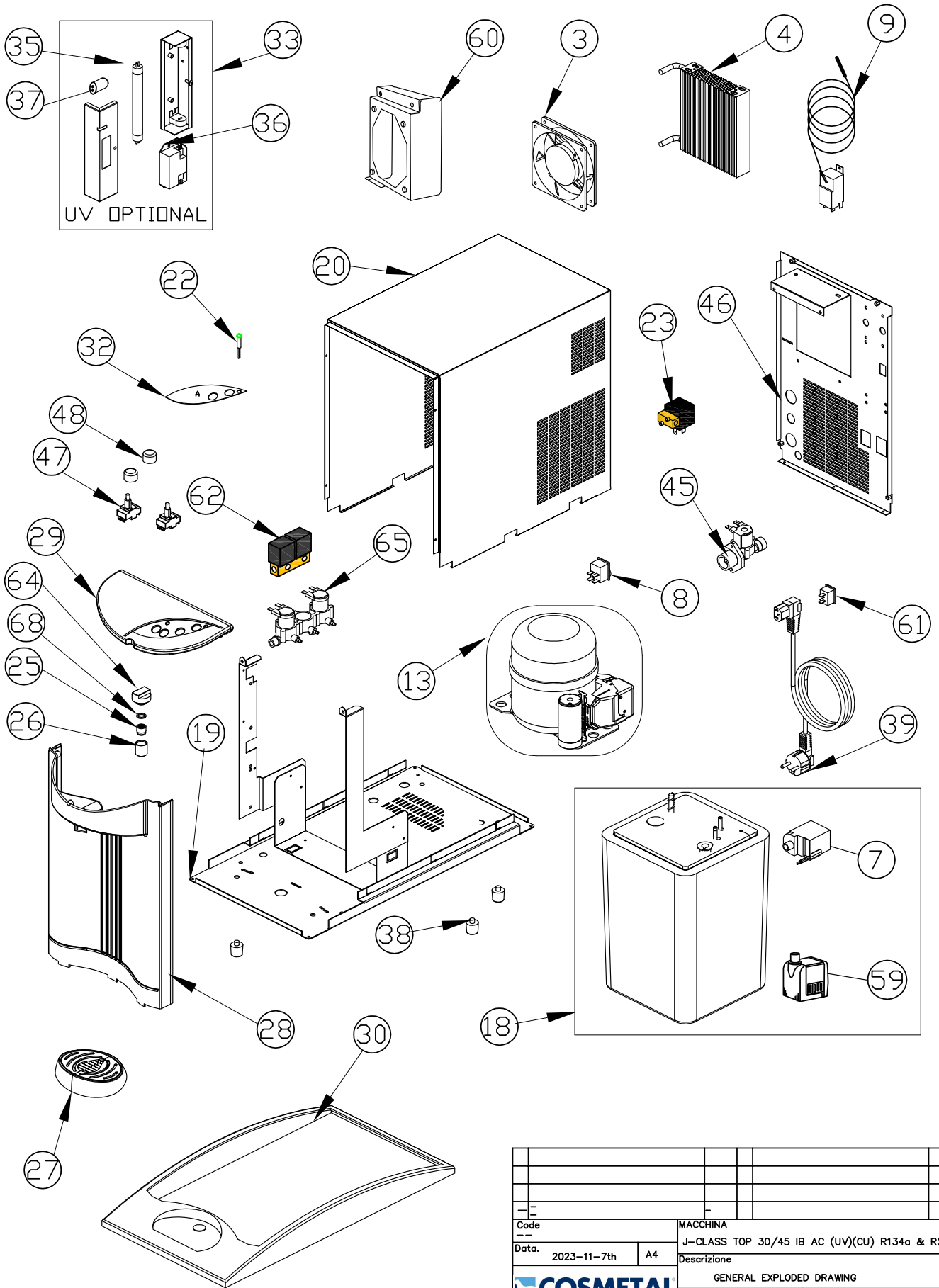
Jclass TOP IB AC

Jclass TOP IB ACWG

Jclass TOP IB ACH



# J-CLASS TOP 30-45 IB AC (UV)(CU) R134a & R290

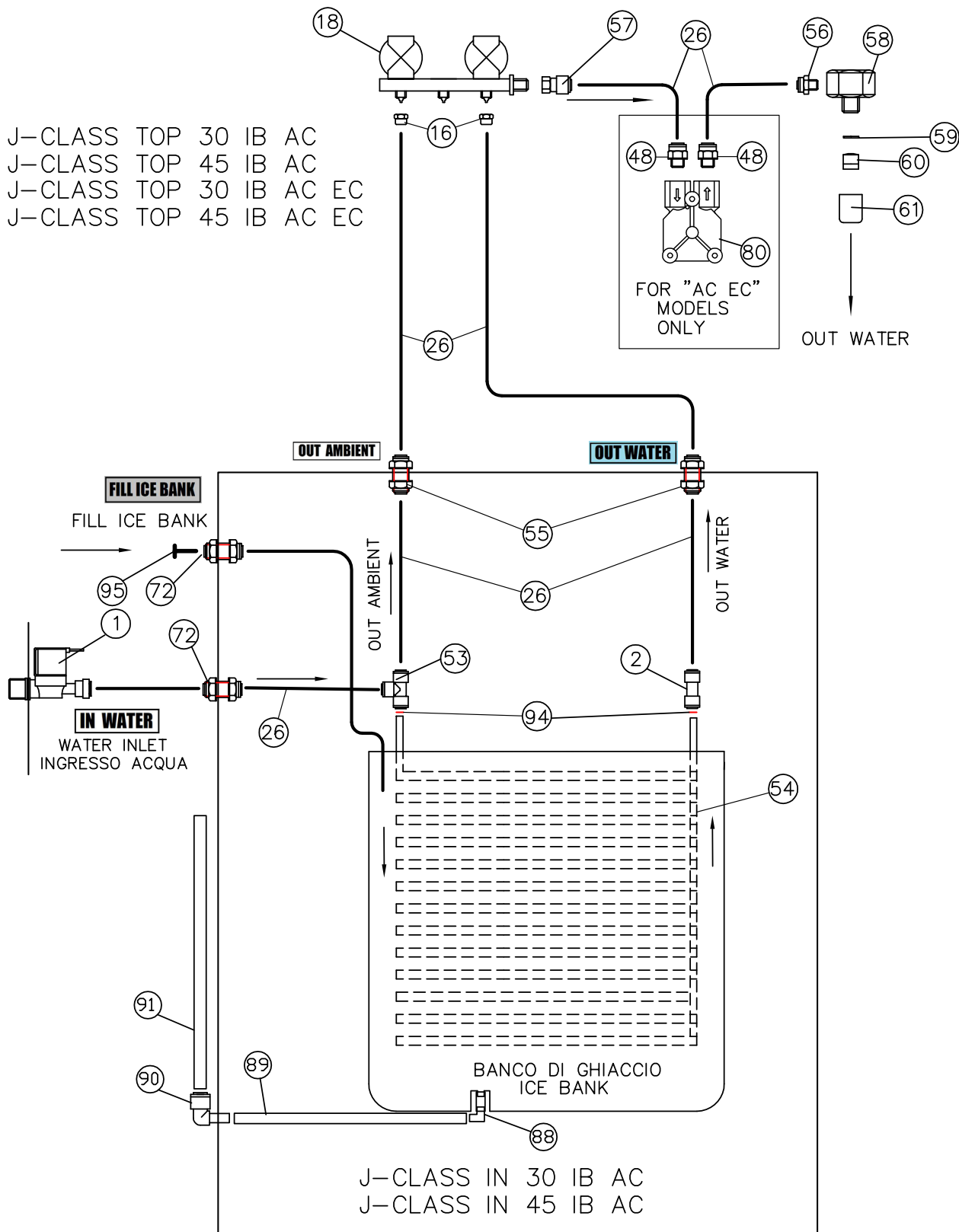


Code		MACCHINA	
Data.		J-CLASS TOP 30/45 IB AC (UV)(CU) R134a & R290	
2023-11-7th	A4	Descrizione	
COSMETAL		GENERAL EXPLODED DRAWING	
Drinking water solutions		Note.	

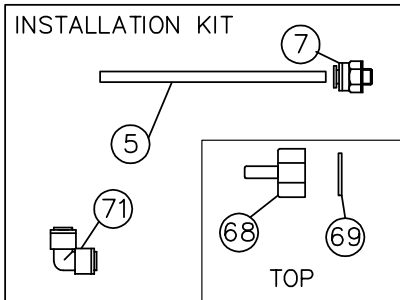
QUESTO DISEGNO E' TUTELATO DALLE LEGGI SUL COPYRIGHT - I TRASGRESSORI SARANNO PERSEGUITI A NORMA DI LEGGE

POS:	COSMETAL	CELLI	DESCRIPTION
3	304185 1761101604	304185 208963	Condenser fan X-fan RAH1225B1 230V for R290 Condenser fan 230V R134a
4	1601124	272027	Condenser
6	170111216	226382	Back panel grey
7	1501521	207934	Agitator pump R134a
8	3822714 215789	208160 215789	Main switch 115/230V R134a Main switch explosion proof R290
9	3824929 306645	207955 306645	Thermostat for ice bank R134a Thermostat for ice bank R290
13	1581182 302587	302570 302587	Compressor 230/1/50 for R134a Compressor 230/1/50 for R290
18	307849 215479 307775 815011108 213124 815011110 215689	307849 215479 307775 307773 213124 307775 215689	Complete ice bank 30 "CU" for R134a Complete ice bank 30 "CU" for R290 Complete ice bank 45 "CU" for 134a Complete ice bank 30 for R134a Complete ice bank 30 for R290 Complete ice bank 45 for R134a Complete ice bank 45 for R290
19	170111000	302914	Base Jclass
20	170111009 170111093	302923 303001	Cabinet grey Cabinet black
22	3824530	207954	Green light indicator
23	2641128	208158	Brass solenoid valve 230V 1 in / 1 out
25	2521120	304252	Plastic aerator
26	2521119	304251	Stainless steel tap spout
27	2781628 816030057	305409 308384	Drip tray - grille grey Drip tray - grille silver (painted)
28	816030058 2781497	308385 305302	Silver front panel (painted) Front panel grey
29	2781493 2781650	305298 280678	Top panel grey Top panel black
30	2781494 816030061	305299 308388	Base cover grey Base cover black
32	5561367	307068	AC button label silver - black - neutral
33	817010167	308573	Complete UV box 230V
35	3822913	306396	UV lamp 4W
36	3822501	210103	UV ballast
37	3822503	306334	Starter 230V
38	2781596	305383	Foot
39	3821718	306071	Schuko power cord
45	2641141	210095	Safety valve 3/4M-JG6
46	170111216	304140	Back panel grey
47	3822711	208152	Bipolar switch 230V
48	3822739	208151	Button grey
59	227078	227078	Agitator pump 230/1/50-60 R290
60	215590	215590	Conveyor Jclass
61	040963	040963	IEC panel connector
62	304854	304854	Brass solenoid valve 230V 2 in / 1 out
64	304250	304250	Stainless steel fitting for nozzle 1/8F - 3/8M
65	2641140	208093	Two inlet solenoid valve 230V
68	304943	304943	Aerator gasket

J-CLASS TOP 30 IB AC  
 J-CLASS TOP 45 IB AC  
 J-CLASS TOP 30 IB AC EC  
 J-CLASS TOP 45 IB AC EC



J-CLASS IN 30 IB AC  
 J-CLASS IN 45 IB AC

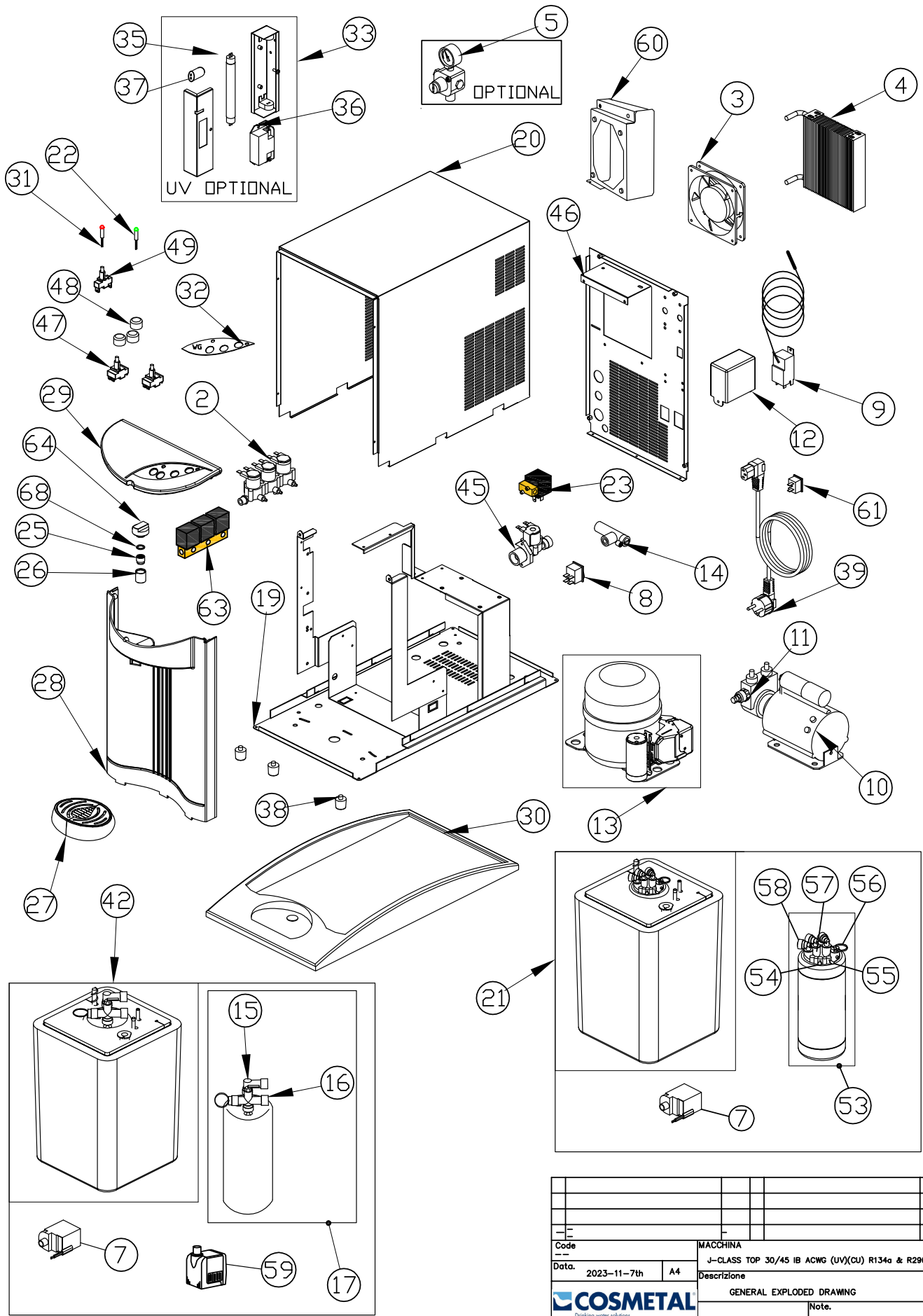


3		6	
2		5	
1		4	
Rev.	Variazione	Data Rev.	Variazione
Macchina/e e Modello/i. J-CLASS IN/TOP 30/45 IB AC/EC		Data. 23-5-24	
Dis. n°.	Scala.	Descrizione Particolare. HYDRAULIC DIAGRAM	
Codice. --	Formato.	Materiale.	
COSMETAL		Trattamento.	
Drinking water solutions		Disegnato da. M.S.	Note.
		Nome File .DWG.	

POS:	COSMETAL	CELLI	DESCRIPTION
1	2641141 226880	210095 226880	RPE inlet solenoid valve 3/4M-6 230V Alternative ceme inlet solenoid valve 3/4M-6 230V
2	2521422	304371	Straight fitting 6-6 PM0406E
5	2801363	271995	Tube PE 8 x 6
7	2521360	271982	Straight adaptor 3/8M-8 PM010813E
16	4741312	208168	Plastic nut
18	2641140	208093	Solenoid valve 2 in M11-1 out 1/4 230V
26	2801368	272038	Tube PE 6 x 4
48	2521413	008642	Straight adaptor 1/4M-6 PM010612E
53	2521385	304286	Equal TEE JG6 PM0206E
54	1601325 1601336	272181 272084	Stainless steel coil 30 Stainless steel coil 45
55	068501	068501	Bulkhead connector 6-6 NC2478-P
56	2521421	304370	Straight adaptor 1/8M-6 PM010611E
57	2521420	208119	Straight adaptor 1/4F-6 PM451612E
58	2521118		Stainless steel dispensing fitting 1/8F-3/8M
59	2661526	304943	Gasket for perlator
60	2521120	304252	Aerator
61	2521119	304251	Nozzle
68	2521442	304387	Inlet fitting 3/4F-8
69	2661711	304953	Gasket
71	2521367	272166	Equal Elbow 8-8 PM0308E
72	2521490	272073	Reduction bulkhead connector 8-6
80	208127	208127	Flowmeter 1/4-1/4F
88	208114	208114	Small white elbow
89	272097	272097	Peroxidic silicone pipe 12-8
90	304397	304397	Stem elbow 10-10 PM221010E
91	305744	305744	PVC transparent pipe 7-10
94	272035	272035	Clip 1/4
95	2521372	272074	Closure 8 mm



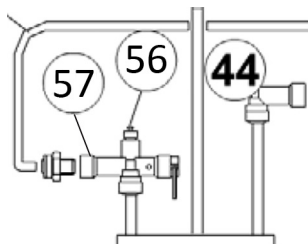
# J-CLASS TOP 30-45 IB ACWG (UV)(CU) R134a & R290



Code	MACCHINA
Date.	J-CLASS TOP 30/45 IB ACWG (UV)(CU) R134a & R290
2023-11-7th	A4
DESCRIZIONE	
GENERAL EXPLODED DRAWING	
Note.	
QUESTO DISEGNO È TUTELATO DALLE LEGGI SUL COPYRIGHT - I TRASGRESSORI SARANNO PERSEGUITI A NORMA DI LEGGE	

POS:	COSMETAL	CELLI	DESCRIPTION
2	2641127	208133	3 inlet solenoid valve 230V
3	304185 1761101604	304185 208963	Condenser fan X-fan RAH1225B1 230V for R290 Condenser fan 230V R134a
4	1601124	272027	Condenser
5	099002	208190	Rechargeable CO2 pressure reducer
6	170111216	226382	Back panel grey
7	1501521	207934	Agitator pump 230V
8	3822714 215789	208160 215789	Main switch 115/230V R134a Main switch explosion proof R290
9	3824929 306645	207955 306645	Thermostat for ice bank R134a Thermostat for ice bank R290
10	1761304005	216018	Sisme motor 230V
11	1761517006	213404	Pump (100lt/h)
12	3821914 3821956	209613 209612	Level control 3821914 Level control 3821956
13	1581182 302587	302570 302587	Compressor 230/1/50 for R134a Compressor 230/1/50 for R290
14	2641131	208078	Flow control
15	2521419	304369	Carbonating unit water inlet piping
16	2521418 2641527 2641526	304368 304902 207944	Carbonating unit CO2 inlet piping Probe 112 mm Safety pressure valve
17	2541504	304752	Carbonating unit
19	170111000	302914	Base
20	170111009 170111093	302923 303001	Cabinet grey Cabinet black
21	815011109 815011111	307774 307776	Complete ice bank 30 ACWG R134a Complete ice bank 45 ACWG R134a
22	3824530	207954	Green light indicator
23	2641128	208158	Brass solenoid valve 230V 1 in / 1 out
25	2521120	304252	Plastic aerator
26	2521119	304251	Stainless steel tap spout
27	2781628 816030057	305409 308384	Drip tray - grille grey Drip tray - grille silver (painted)
28	816030058 2781497	308385 305302	Silver front panel (painted) Front panel grey
29	2781493 2781650	305298 280678	Top panel grey Top panel black
30	2781494 816030061	305299 308388	Base cover grey Base cover black
31	815614022	210152	Red light indicator 230V
32	5561367	307068	AC button label silver - black - neutral
33	817010167	308573	Complete UV box 230V
35	3822913	306396	UV lamp 4W
36	3822501	210103	UV ballast
37	3822503	306334	Starter 230V
38	2781596	305383	Foot
39	3821718	306071	Schuko power cord

42	212795 215716 307823 307852 215749 215686	212795 215716 307823 307852 215749 215686	Complete ice bank 30 ACWG R290 Complete ice bank 45 ACWG R290 Complete ice bank 30 ACWG R134a "CU" Complete ice bank 45 ACWG R134a "CU" Complete ice bank 30 ACWG R290 "CU" Complete ice bank 45 ACWG R290 "CU"
45	2641141	210095	Safety valve 3/4M-JG6
46	170111216	304140	Back panel grey
47	3822711	208152	Bipolar switch 230V
48	3822739	208151	Button grey
49	3822738	306374	Unipolar switch
53	304758	304758	Complete carbonating unit
54	304494	304494	Probe 75 mm
55	304493	304493	Probe 225 mm
56	2641526	207944	Safety pressure valve
57	304410	304410	No return valve
58	304409	304409	Inlet fitting for carbonator $\varnothing$ 6 mm
59	227078	227078	Agitator pump 230/1/50-60 R290
60	215590	215590	Conveyor Jclass
61	040963	040963	IEC panel connector
63	304853	304853	Brass solenoid valve 3 in / 1 out 1/8F
64	304250	304250	Stainless steel fitting for nozzle 1/8F - 3/8M
68	304943	304943	Aerator gasket



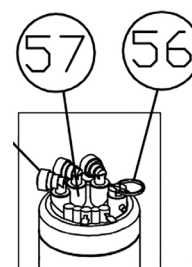
Carbonator older



56 safety valve



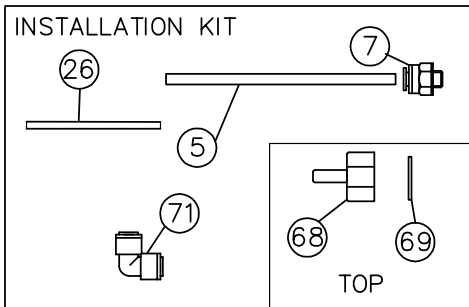
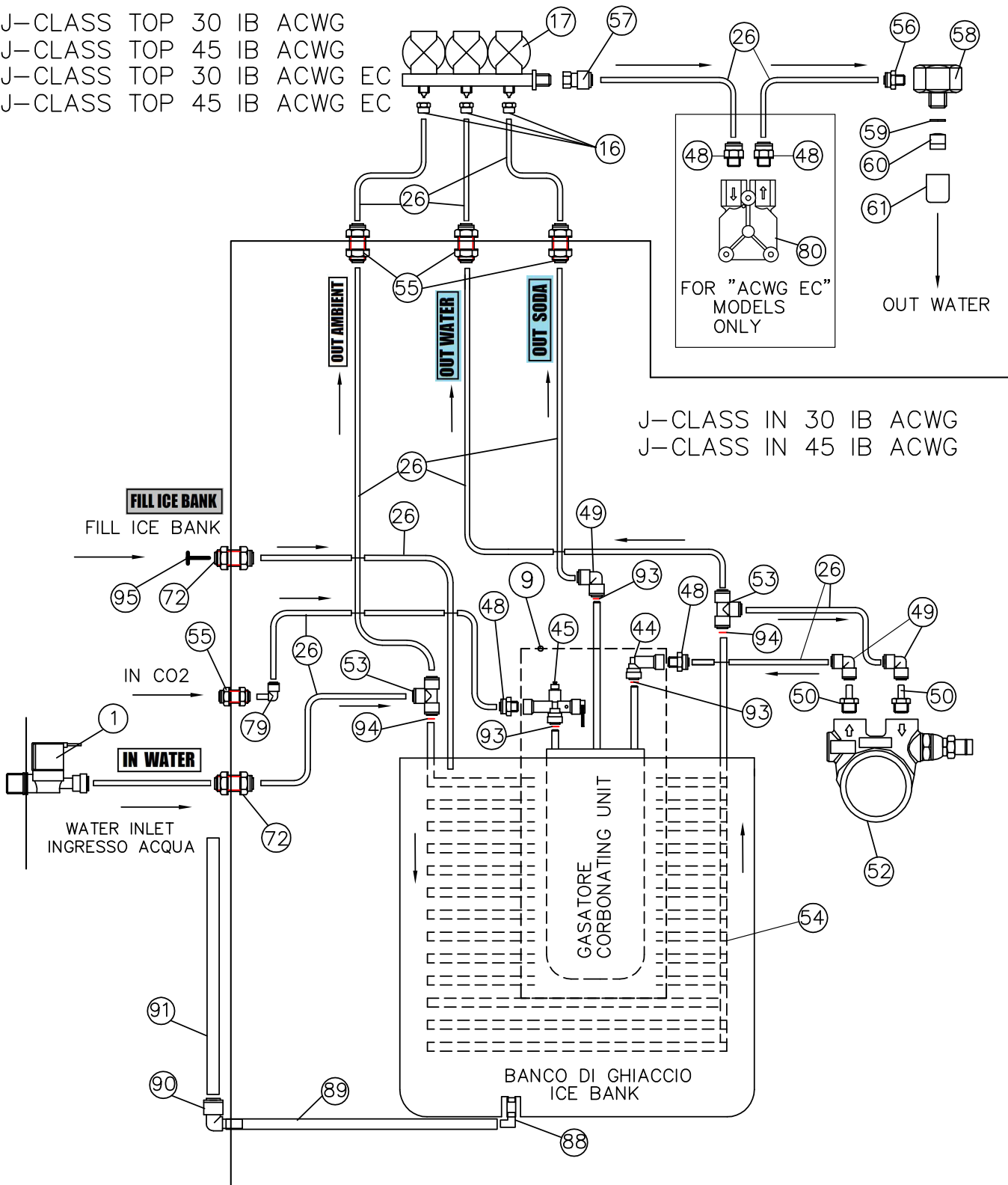
57 no return valve



Carbonator new



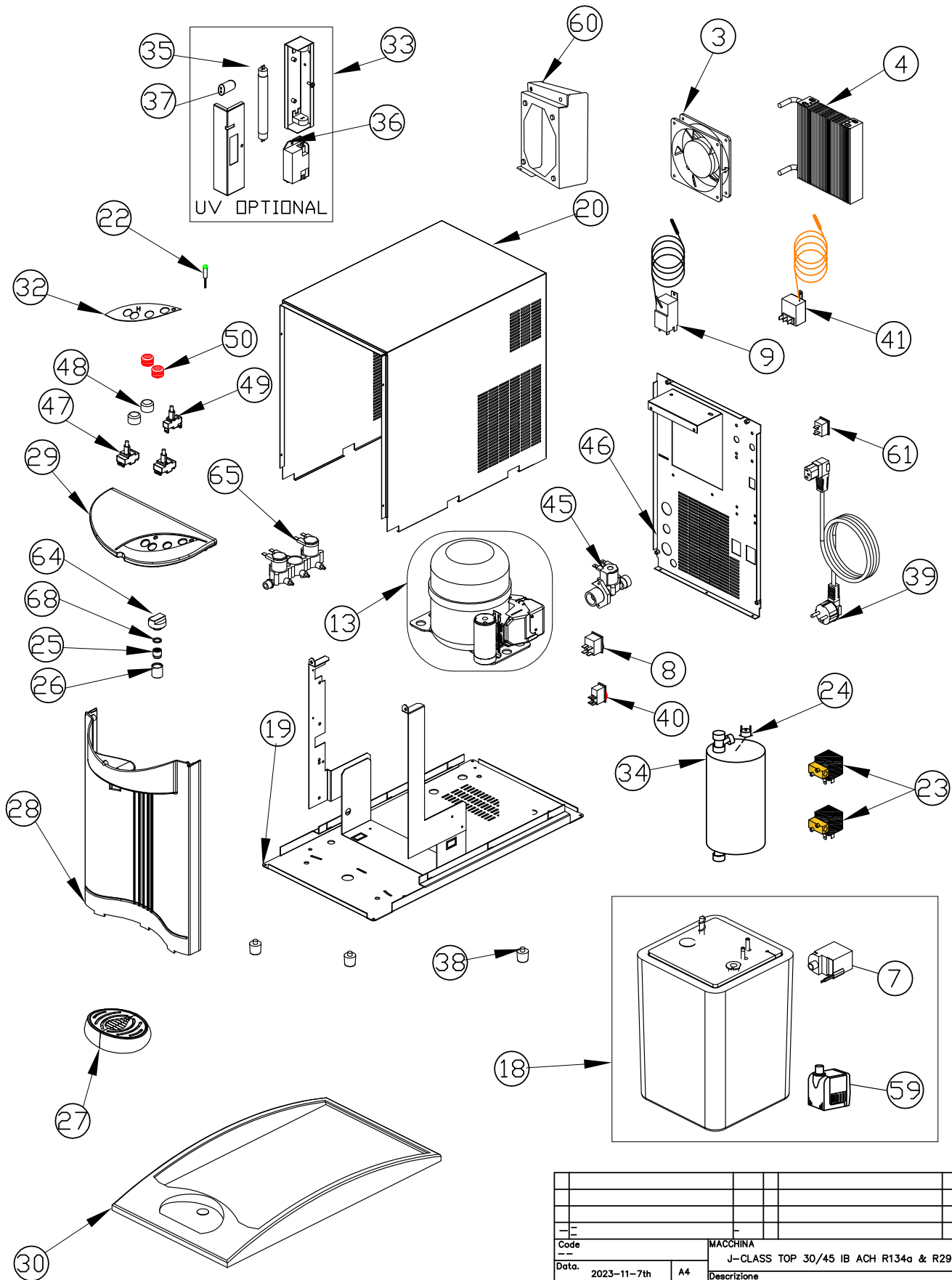
J-CLASS TOP 30 IB ACWG  
 J-CLASS TOP 45 IB ACWG  
 J-CLASS TOP 30 IB ACWG EC  
 J-CLASS TOP 45 IB ACWG EC



3		6	
2	-	5	
1		4	
Rev.	Variazione	Data Rev.	Variazione
Macchina/e e Modello/i.		Data	
J-CLASS IN/TOP 30/45 IB ACWG/EC		23-5-24	
Dis. n°.	Scala.	Descrizione Particolare.	
		HYDRAULIC DIAGRAM	
Codice.	Formato.	Materiale.	
		Trattamento.	
		Disegnato da.	Note.
<small>Drinking water solutions</small>		M.S.	
		Nome File .DWG.	

POS:	COSMETAL	CELLI	DESCRIPTION
1	2641141 226880	210095 226880	RPE inlet solenoid valve 3/4M-6 230V Alternative ceme inlet solenoid valve 3/4M-6 230V
5	2801363	271995	Tube PE 8 x 6
7	2521360	271982	Straight adaptor 3/8M-8 PM010813E
9	304752	304752	Carbonating unit
16	4741312	208168	Plastic nut
17	2641127	208133	3 x solenoid valve 230V 3 IN / 1 OUT
26	2801368	272038	Tube PE 6 x 4
44	2521419 304410	304369 304410	Carbonating water inlet piping Check valve DW10
45	2521418 304410 2641527 2641141	304368 304410 2641527 304902	Carbonating CO2 inlet piping Check valve DW10 112 mm probe + bushing Security valve 230V
48	2521413	008642	Straight adaptor 1/4M-6 PM010612E
49	2521436	272034	Reduction elbow 8-6 PM10806E
50	2521363	007446	Stem adaptor 3/8M-8 PM050813E
52	1761517006	304227	Pump (100 lt/h
53	2521385	304286	Equal TEE JG6 PM0206E
54	1601325 1601336	272181 272084	Stainless steel coil 30 Stainless steel coil 45
55	068501	068501	Bulkhead connector 6-6 NC2478-P
56	2521421	304370	Straight adaptor 1/8M-6 PM010611E
57	2521420	208119	Straight adaptor 1/4F-6 PM451612E
58	2521118		Stainless steel dispensing fitting 1/8F-3/8M
59	2661526	304943	Gasket for perlator
60	2521120	304252	Aerator
61	2521119	304251	Nozzle
68	2521442	304387	Inlet fitting 3/4F-8
69	2661711	304953	Gasket
71	2521367	272166	Equal Elbow 8-8 PM0308E
72	2521490	272073	Reduction bulkhead connector 8-6
79	2521454	272105	Elbow + shank 6-6 PM220606E
80	208127	208127	Flowmeter 1/4-1/4F
88	208114	208114	Small white elbow
89	272097	272097	Peroxidic silicone pipe 12-8
90	304397	304397	Stem elbow 10-10 PM221010E
91	305744	305744	PVC transparent pipe 7-10
94	272035	272035	Clip 1/4
95	2521372	272074	Closure 8 mm

# J-CLASS TOP 30-45 IB ACH (UV) R134a & R290

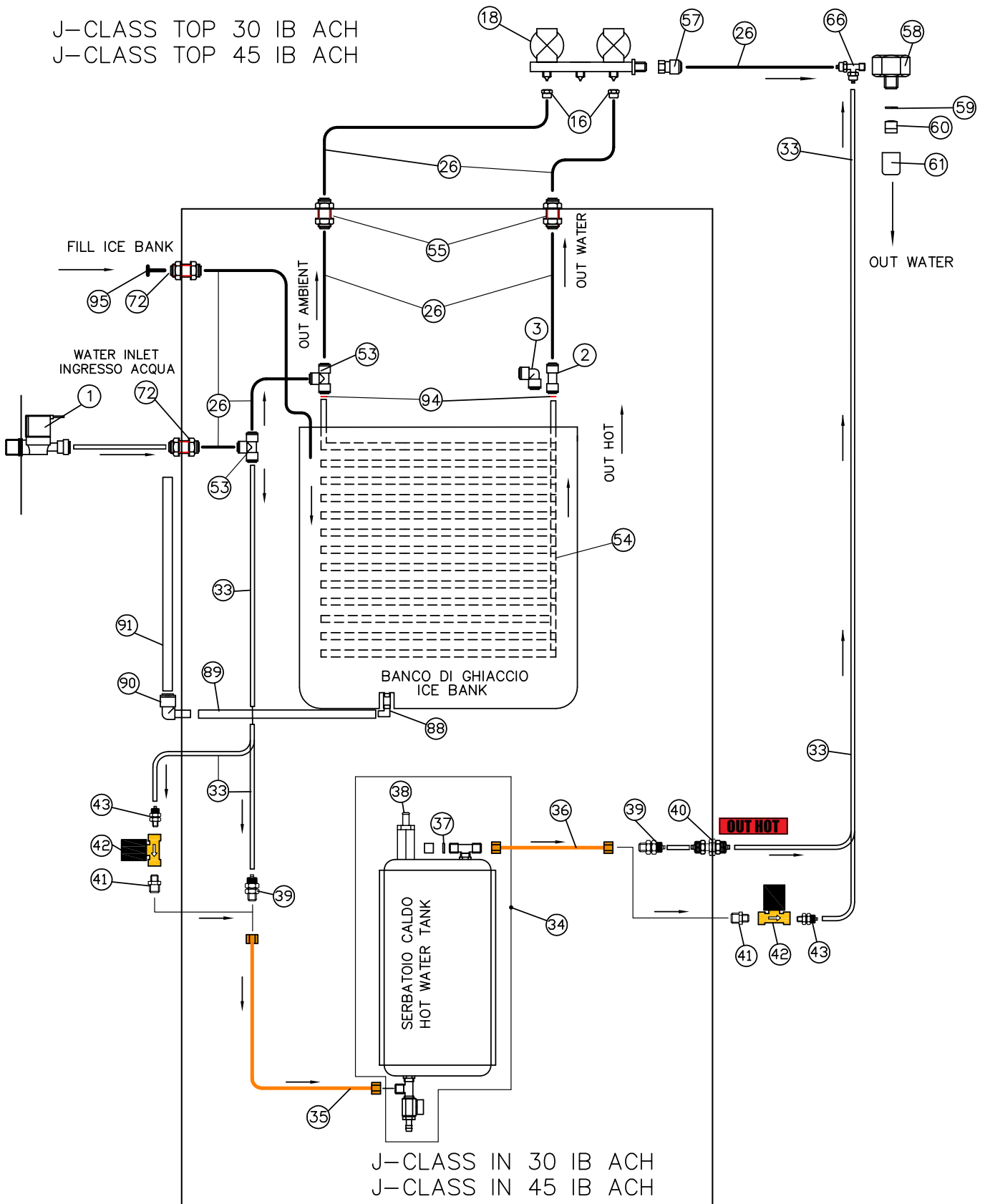


Code		MACCHINA	
Data. 2023-11-7th		A4	
Descrizione		J-CLASS TOP 30/45 IB ACH R134a & R290	
COSMETAL		GENERAL EXPLODED DRAWING	
Note.			

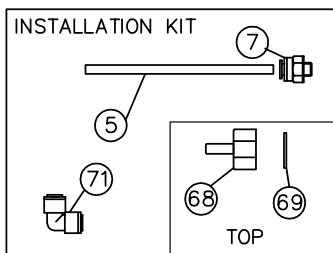
QUESTO DISEGNO È TUTELATO DALLE LEGGI SUL COPYRIGHT - I TRASGRESSORI SARANNO PERSEGUITI A NORMA DI LEGGE

POS:	COSMETAL	CELLI	DESCRIPTION
3	304185 1761101604	304185 208963	Condenser fan X-fan RAH1225B1 230V for R290 Condenser fan 230V R134a
4	1601124	272027	Condenser
7	1501521	207934	Agitator pump R134a
8	3822714 215789	208160 215789	Main switch 115/230V R134a Main switch explosion proof R290
9	3824929 306645	207955 306645	Thermostat for ice bank R134a Thermostat for ice bank R290
13	1581182 302587	302570 302587	Compressor 230/1/50 for R134a Compressor 230/1/50 for R290
18	815011108 213124 815011110 215689	307773 213124 307775 215689	Complete ice bank 30 for R134a Complete ice bank 30 for R290 Complete ice bank 45 for R134a Complete ice bank 45 for R290
19	170111000	302914	Base Jclass
20	170111009 170111093	302923 303001	Cabinet grey Cabinet black
22	3824530	207954	Green light indicator
23	2641128	208158	Brass solenoid valve 230V 1 in / 1 out
24	306606	306606	Safety thermostat
25	2521120	304252	Plastic aerator
26	2521119	304251	Stainless steel tap spout
27	2781628 816030057	305409 308384	Drip tray - grille grey Drip tray - grille silver (painted)
28	816030058 2781497	308385 305302	Silver front panel (painted) Front panel grey
29	2781493 2781650	305298 280678	Top panel grey Top panel black
30	2781494 816030061	305299 308388	Base cover grey Base cover black
32	307070	307070	ACH button label silver - black - neutral
33	817010167	308573	Complete UV box 230V
35	3822913	306396	UV lamp 4W
36	3822501	210103	UV ballast
37	3822503	306334	Starter 230V
38	2781596	305383	Foot
39	3821718	306071	Schuko power cord
40	306354	306354	Small switch for boiler
41	306605	306605	Thermostat for hot water +95 °C
45	2641141	210095	Safety valve 3/4M-JG6
46	170111216	304140	Back panel grey
47	3822711	208152	Bipolar switch 230V
48	3822739	208151	Button grey
49	306374	306374	Unipolar switch 230V
50	306375	306375	Red button
59	227078	227078	Agitator pump 230/1/50-60 R290
60	215590	215590	Conveyor Jclass
61	040963	040963	IEC panel connector
64	304250	304250	Stainless steel fitting for nozzle 1/8F - 3/8M
65	2641140	208093	Two inlet solenoid valve 230V
68	304943	304943	Aerator gasket

J-CLASS TOP 30 IB ACH  
 J-CLASS TOP 45 IB ACH



J-CLASS IN 30 IB ACH  
 J-CLASS IN 45 IB ACH



3		6		
2		5		
1		4		
Rev.	Variazione	Data Rev	Variazione	Data
Macchina/Modello/1. J-CLASS IN/TOP 30/45 IB ACH		Data. 23-5-24		
Dis. n.	Scala.	Descrizione Particolare. HYDRAULIC DIAGRAM		
Codice. --	Formato.	Materiale.		
COSMETAL		Trattamento.		
Disegnato da M.S.		Note.		
Nome File .DWG.				



POS:	COSMETAL	CELLI	DESCRIPTION
1	2641141 226880	210095 226880	RPE inlet solenoid valve 3/4M-6 230V Alternative ceme inlet solenoid valve 3/4M-6 230V
2	2521422	304371	Straight fitting 6-6 PM0406E
3	CO-2521386	007448	Elbow 6-6 PM0306E
5	2801363	271995	Tube PE 8 x 6
7	2521360	271982	Straight adaptor 3/8M-8 PM010813E
16	4741312	208168	Plastic nut
18	2641140	208093	Solenoid valve 2 in M11-1 out 1/4 230V
26	2801368	272038	Tube PE 6 x 4
33	305715	305715	Teflon pipe ø6 mm
34	304779	304779	Complete hot water tank
35	305713	305713	Inlet copper pipe 1/4F - 1/4F
36	305782	305782	Outlet copper pipe 1/4F - 1/4F
37	304926	304926	Gasket for hot water tank 11x3
38	222392	222392	Brass safety pressure valve 14 bar for the hot water tank
39	304391	304391	Straight brass fitting 1/4M-6
40	304375 306730	304375 306730	Bulkhead brass compression fitting 6-6 Stainless steel ring adapter
41	304274	304274	Reduced fitting 1/8M - 1/4M
42	208158 228219	208158 228219	Olab brass solenoid valve 1/8FF 230V Alternative brass solenoid 1/8FF 230V
43	304372	304372	Brass compression straight fitting 1/8M-6
53	2521385	304286	Equal TEE JG6 PM0206E
54	1601325 1601336	272181 272084	Stainless steel coil 30 Stainless steel coil 45
55	068501	068501	Bulkhead connector 6-6 NC2478-P
57	2521420	208119	Straight adaptor 1/4F-6 PM451612E
58	2521118		Stainless steel dispensing fitting 1/8F-3/8M
59	2661526	304943	Gasket for perlator
60	2521120	304252	Aerator
61	2521119	304251	Nozzle
66	304373	304373	Brass T fitting 6-6 1/8M
68	2521442	304387	Inlet fitting 3/4F-8
69	2661711	304953	Gasket
71	2521367	272166	Equal Elbow 8-8 PM0308E
72	2521490	272073	Reduction bulkhead connector 8-6
88	208114	208114	Small white elbow
89	272097	272097	Peroxidic silicone pipe 12-8
90	304397	304397	Stem elbow 10-10 PM221010E
91	305744	305744	PVC transparent pipe 7-10
94	272035	272035	Clip 1/4
95	2521372	272074	Closure 8 mm



FESTIVO  
**PORKKA**

**Colia AS - et selskap i Festivo Porkka Group**

Gruppen har en samlet omsetning på cirka NOK 500 millioner og sysselsetter omtrent 300 personer. Vi er representert i UK, Sverige, Norge, Øst Europa og Sentral Europa. Hovedkontoret samt fabrikker er lokalisert i Finland.

Alle produktene i Porkka`s sortiment selges kun gjennom Colia AS.  
I tillegg importerer vi kjente merkevarer som Migel (Porkka) ismaskiner, Sinofcold, Liebherr, Igloo, Asber, Cosmetal, Vestfrost, Elcold osv.

Vår visjon er å levere produkter med høy kvalitet og yte god service til våre kunder.

---

**°COLIA**

Colia AS  
Ringeriksveien 16, 3414 Lierbyen

post@colia.no | www.colia.no | +47 66 98 77 77