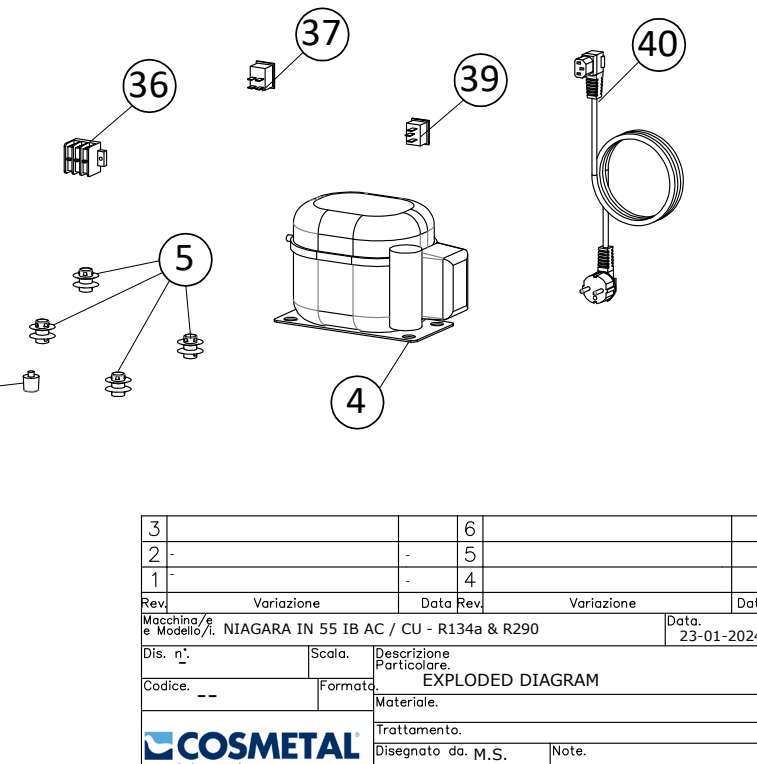
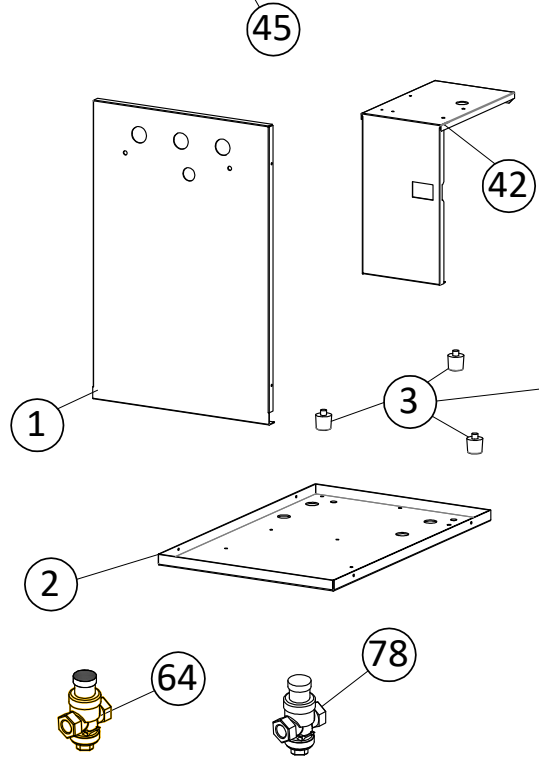
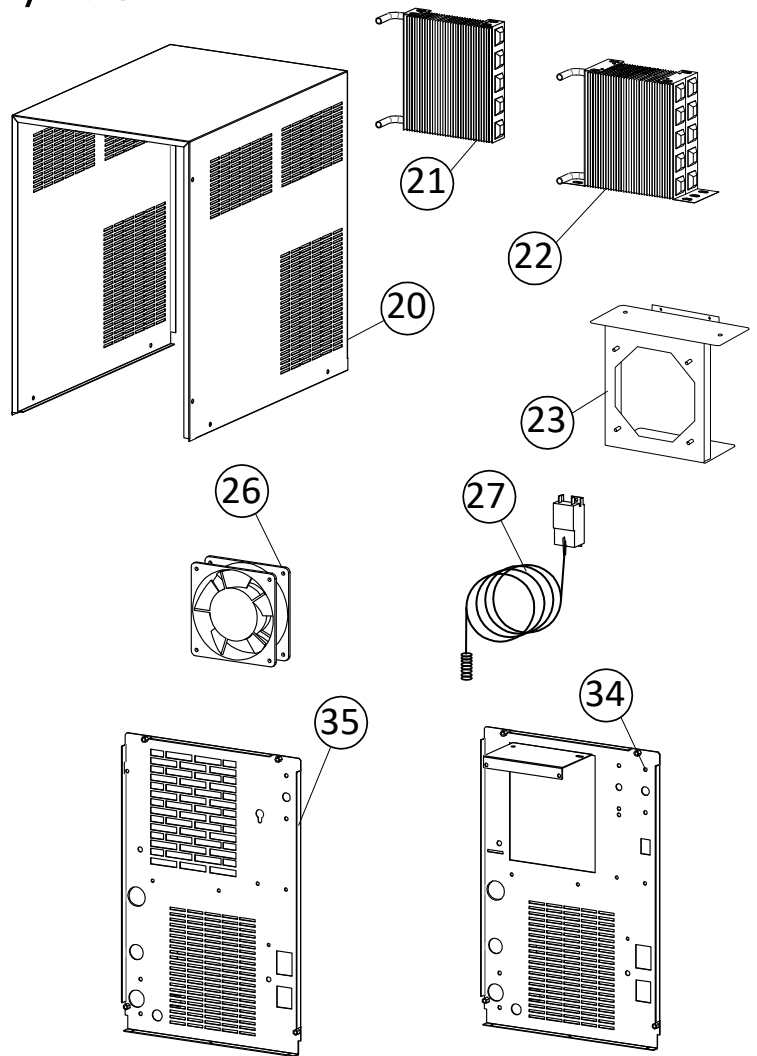
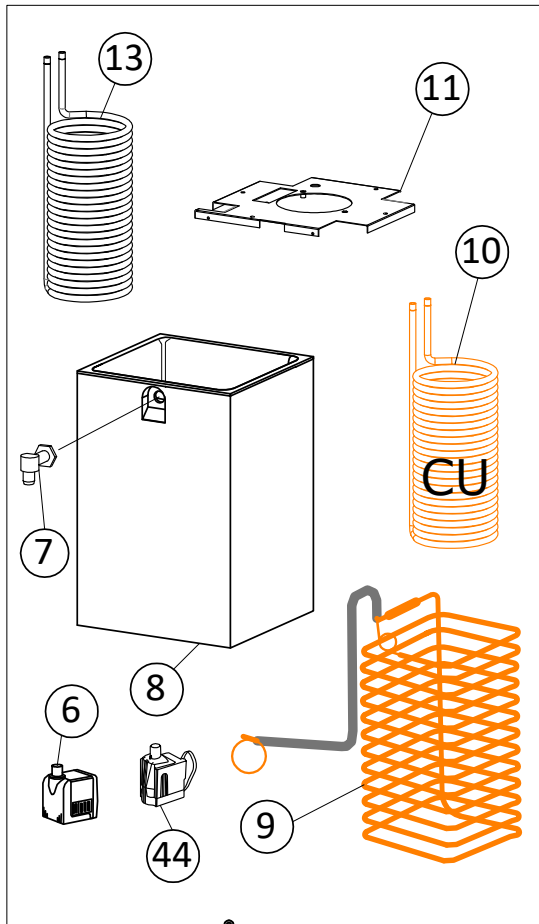


RESERVEDELER COSMETAL NIAGARA IN 55



NIAGARA IN 55 IB AC / CU R134a & R290

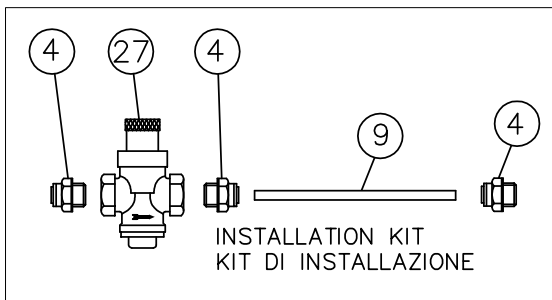
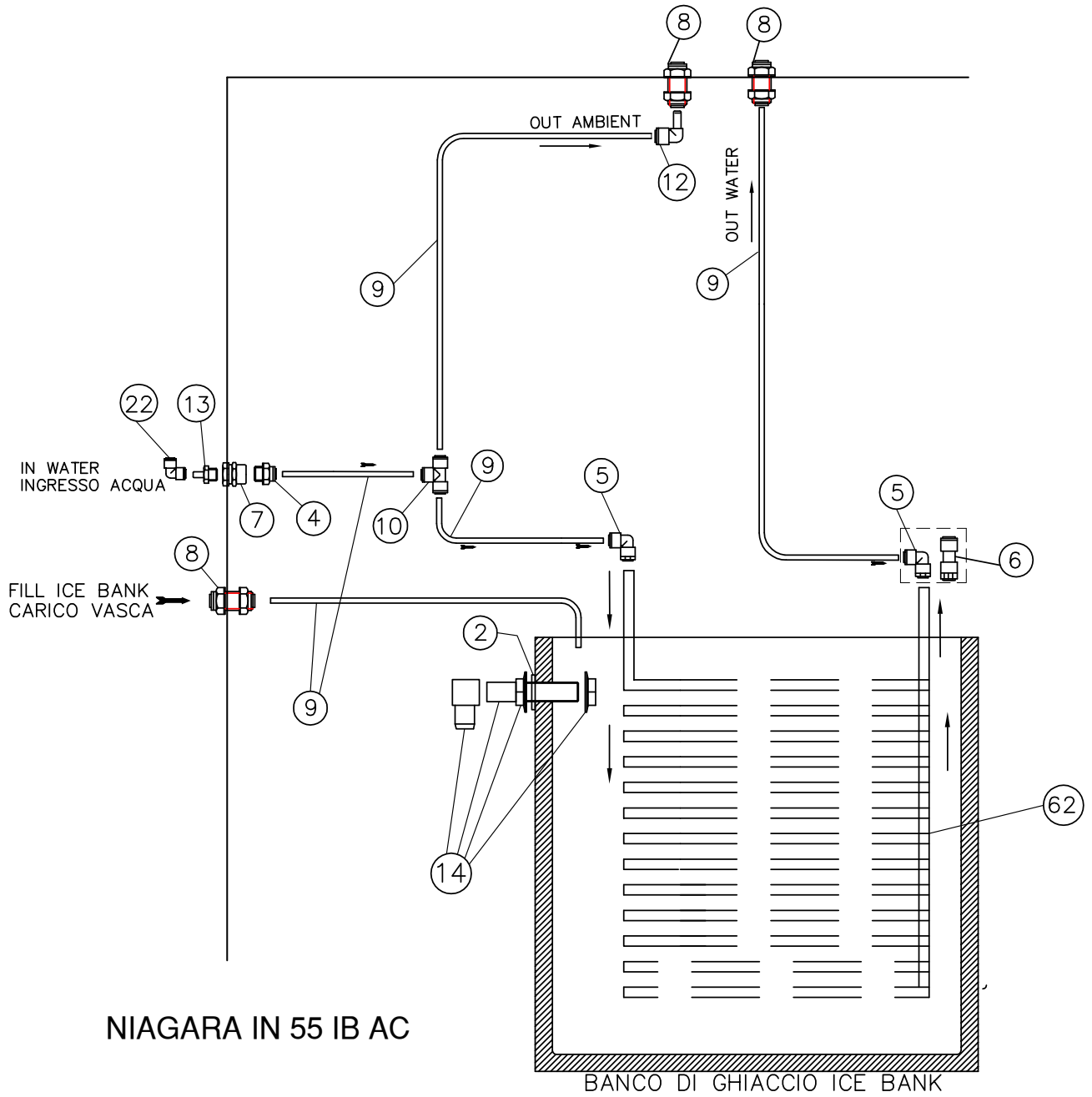


3		6	
2		5	
1		4	
Rev	Variazione	Data Rev	Variazione
Macchina/Modello/NIAGARA IN 55 IB AC / CU - R134a & R290			Data
			23-01-2024
Dis. n°	Scala	Descrizione Particolare	
Codice	Formato	EXPLODED DIAGRAM	
Materiale			
Trattamento			
Disegnato da M.S.		Note	
Nome File .DWG.			

Beskrivelse

POS:	COSMETAL	CELLI	DESCRIPTION
1	303233	303233	Front panel Niagara IN 55
2	302927 213971	302927 213971	Base Niagara IN 55 R134a Base Niagara IN 55 R290
3	2781596	305383	Rubber foot H = 18 mm
4	1581181 302587	208940 302587	Compressor Secop TL4G 230/1/50 R134a Compressor Cubigel NBC22RA 230/1/50 R290
5	2781604	272026	Anti vibration element for compressor
6	227078	227078	Agitator Newa 230/1/50-60
7	304380	304380	Drainage fitting for ice bank
8	303894	303894	Tank of the ice bank
9	302785 309294	302785 309294	Evaporator Niagara IN 55 R134a Evaporator Niagara IN 55 R290
10	302828	302828	Copper coil Niagara IN 55
11	303384	303384	Stainless steel cover of ice bank
13	302786	302786	Stainless steel coil Niagara IN 55
20	303264 213973	303264 213973	Cabinet Niagara IN 55 R134a Cabinet Niagara IN 55 R290
21	1601124	272027	Condenser for R134a
22	083615	083615	Double layer condenser for R290
23	213978	213978	Conveyor for fan motor
26	1761101603	208080	Condenser fan 230/1/50 120x120x38
27	3824929 306645	207955 306645	Thermostat R134a Thermostat R290
34	304143	304143	Rear panel Niagara IN 55 R134a
35	213997	213997	Rear panel Niagara IN 55 with grille R290
36	306552	306552	Terminal block PA80-81
37	3822714 215789	208160 215789	Main switch green R134a Main switch black R290
39	3824515	040963	IEC power socket
40	3821718	306071	Shuko power cord
42	303122	303122	Divider
44	1501521	207934	Agitator Askoll Micromega 230/1/50
45	307835 214003	307835 214003	Ice bank complete Niagara IN 55 IBAC R134a Ice bank complete Niagara IN 55 IBAC R290
64	304447	304447	Water pressure reducer in yellow brass 3/8FF
78	099093	208095	Water pressure reducer 3/8FF

NIAGARA IN 55 IB AC



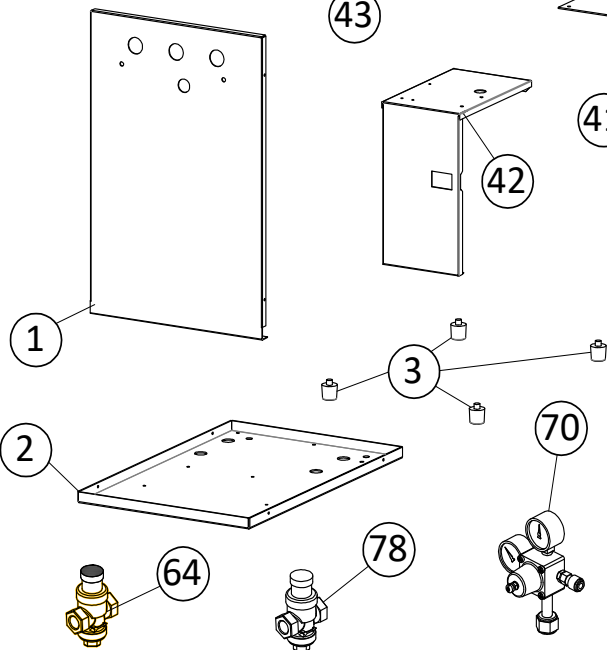
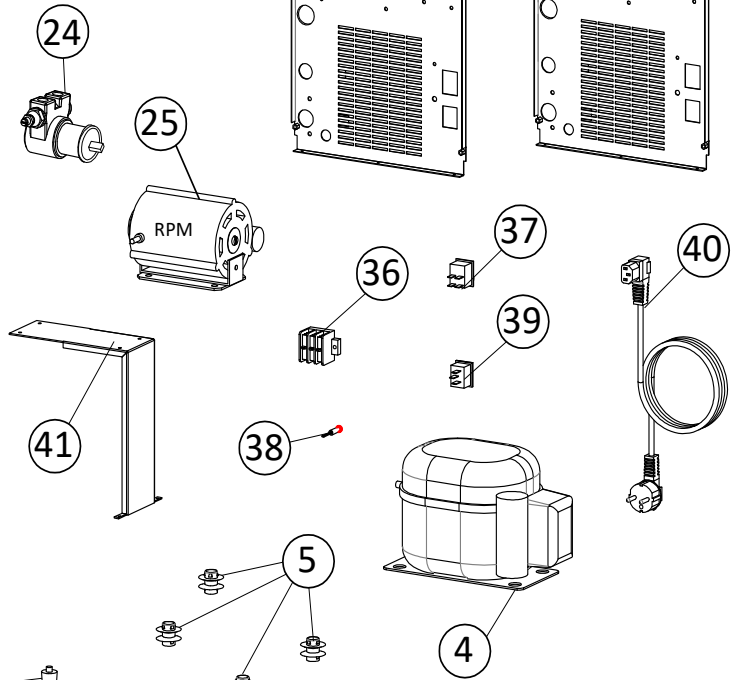
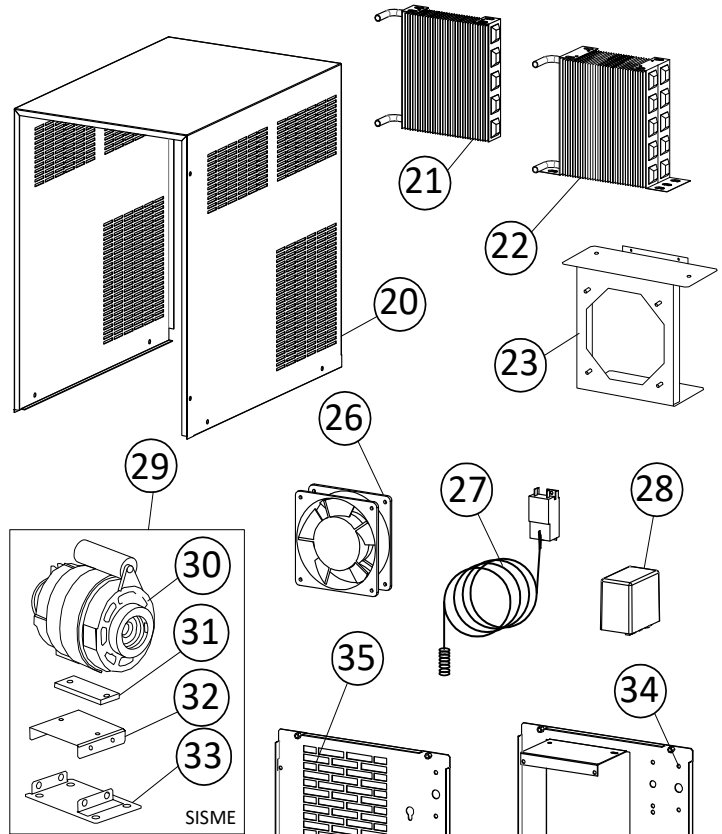
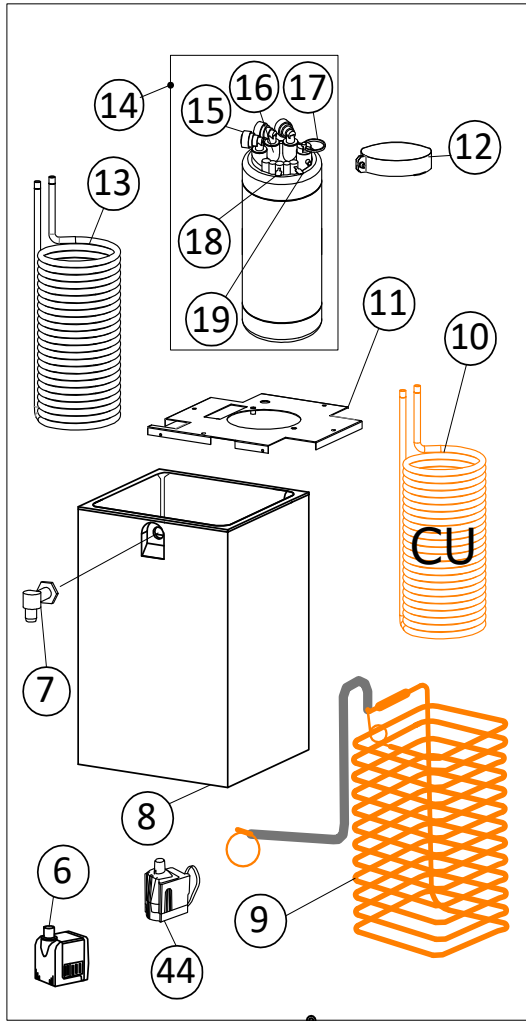
3		6		
2		5		
1		4		
Rev.	Variazione	Data Rev.	Variazione	Data
Macchina/e e Modello/i.	NIAGARA IN 55 IB AC			Data.
Dis. n°.	Scala.	Descrizione Particolare.	HYDRAULIC DIAGRAM	
Codice.	Formato.	Materiale.		
		Trattamento.		
Disegnato da.		Note.		
Nome File .DWG.				

QUESTO DISEGNO È TUTELATO DALLE LEGGI SUL COPYRIGHT - TRASGRESSORI SARANNO PERSEGUITI A NORMA DI LEGGE

Beskrivelse

POS:	COSMETAL	CELLI	DESCRIPTION
2	2661711	304953	Gasket
4	2521360	007363	Straight adaptor 3/8M-8 PM010813E
5	2521433	039747	Elbow super seal 5/16 SM030808S
6	056183	056183	Straight super seal 5/16 SM040808S
7	2521412	304365	Bulkhead connector brass 3/8FF
8	2521371	007444	Bulkhead connector 8-8 PM1208E
9	2801363	088113	Tube 8 mm LLDPE
10	2521364	046156	TEE JG8 PM0208E
12	EW-PM220808E	046469	Stem elbow 8-8 PM220808E
13	2521363	007446	Straight fitting 3/8-stem - 8M PM050813E
14	2521432	304380	Drainage fitting
22	2521367	067392	Equal elbow 8-8 PM0308E
27	2521515	208095	Water pressure reducer
28	053845	053845	Clip 5/16
29	2521361	011299	Straight adaptor 7/16F-8 PM4508F4S
30	2521504	304433	CO2 pressure reducer double gauge
62	1601497	302786	Stainless steel water coil Niagara 55

NIAGARA IN 55 IB ACWG / CU R134a & R290



3			6		
2	-		5		
1	-		4		
Rev.	Variatione	Data Rev.	Variatione	Data	
Macchina/e e Modello/i. NIAGARA IN 55 IB ACWG / CU - R134a & R290				Data. 23-01-2024	
Dis. n°.		Scala.	Descrizione Particolare.		
Codice. --		Formato.	EXPLODED DIAGRAM		
Materiale.					
Trattamento.					
Disegnato da. M.S.		Note.			
Nome File .DWG.					

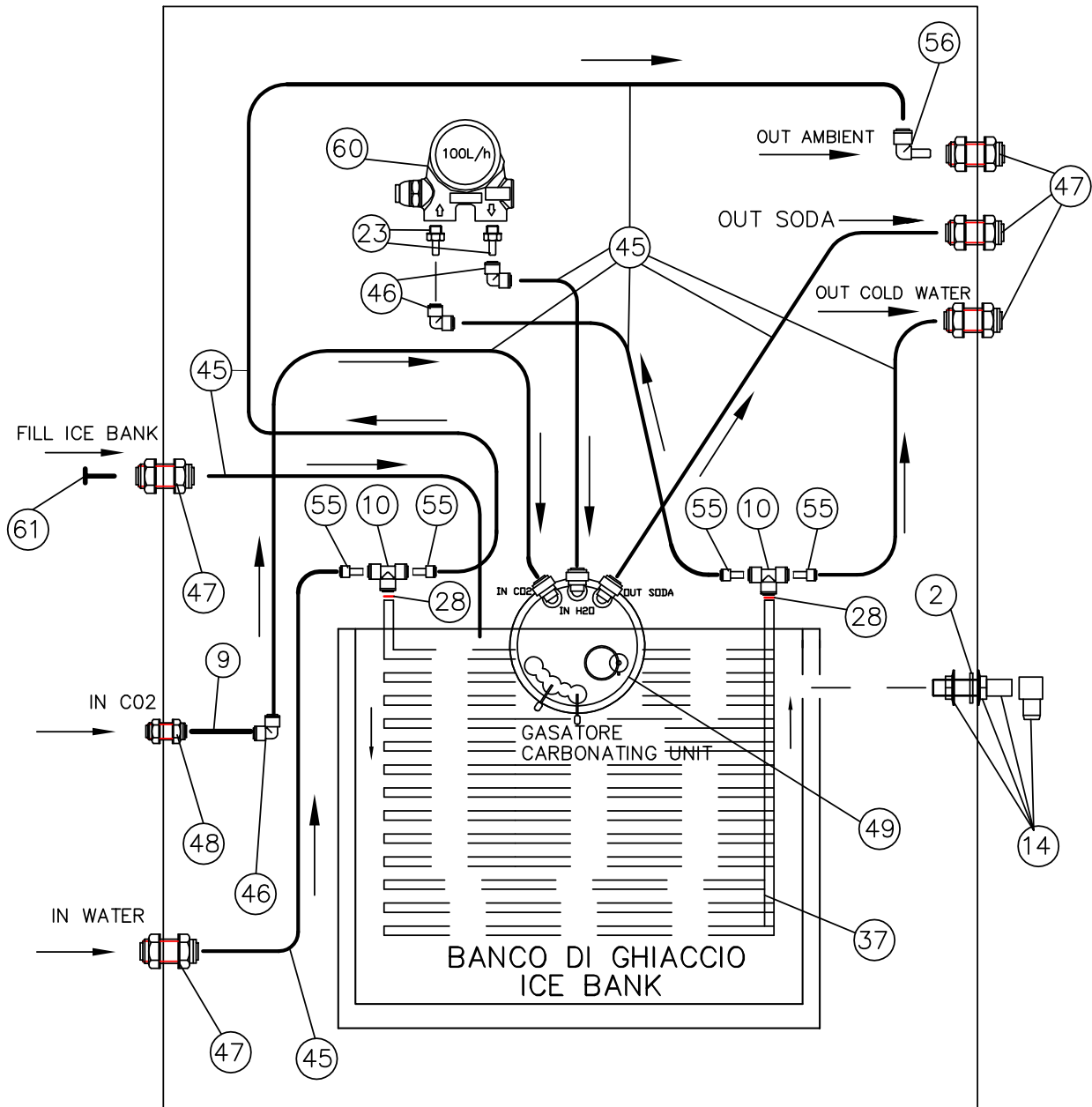
Beskrivelse

POS:	COSMETAL	CELLI	DESCRIPTION
1	303233	303233	Front panel Niagara IN 55
2	302927 213971	302927 213971	Base Niagara IN 55 R134a Base Niagara IN 55 R290
3	2781596	305383	Rubber foot H = 18 mm
4	1581181 302587	208940 302587	Compressor Secop TL4G 230/1/50 R134a Compressor Cubigel NBC22RA 230/1/50 R290
5	2781604	272026	Anti vibration element for compressor
6	227078	227078	Agitator Newa 230/1/50-60
7	304380	304380	Drainage fitting for ice bank
8	303894	303894	Tank of the ice bank
9	302785 309294	302785 309294	Evaporator Niagara IN 55 R134a Evaporator Niagara IN 55 R290
10	302828	302828	Copper coil Niagara IN 55
11	303384	303384	Stainless steel cover of ice bank
13	302786	302786	Stainless steel coil Niagara IN 55
14	304758	304758	Carbonator complete with plastic bottom and 6 mm speedfit connections
15	2521478	304409	Inlet fitting of carbonator
16	2521479	304410	No return valve
17	2641526	207944	Safety pressure valve
18		304494	Probe 75 mm
19	2521567	304493	Probe 225 mm
20	303264 213973	303264 213973	Cabinet Niagara IN 55 R134a Cabinet Niagara IN 55 R290
21	1601124	272027	Condenser for R134a
22	083615	083615	Double layer condenser for R290
23	213978	213978	Conveyor for fan motor
24	1761517011	213404	Brass pump 100l/h 1/4FF
25	1761101603	304214	RPM motor 230/1/50
26	1761101603	208080	Condenser fan 230/1/50 120x120x38
27	3824929 306645	207955 306645	Thermostat R134a Thermostat R290
28	3821956	209612	PCB control board 230/1/50
29	214315	214315	Complete adaption kit for SISME motor 230/1/50
30	216018	216018	SISME motor 230/1/50
31	213879	213879	Anti-vibration plate of SISME motor
32	213419	213419	Upper support for SISME motor
33	213444	213444	Lower support for SISME motor
34	304143	304143	Rear panel Niagara IN 55 R134a
35	213997	213997	Rear panel Niagara IN 55 with grille R290
36	306552	306552	Terminal block PA80-81
37	3822714 215789	208160 215789	Main switch green R134a Main switch black R290
38	815614022	210152	Red light indicator 230V
39	3824515	040963	IEC power socket
40	3821718	306071	Shuko power cord
42	303122	303122	Divider

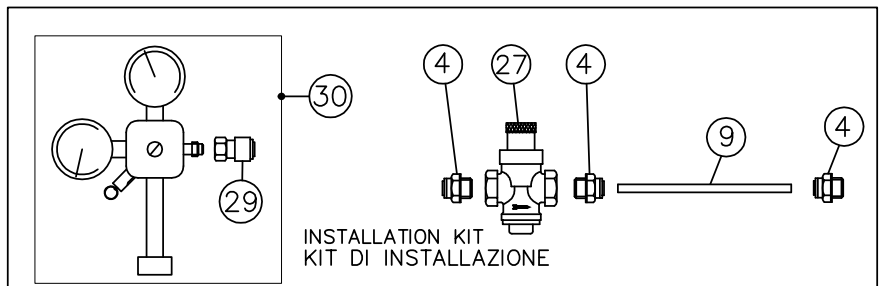
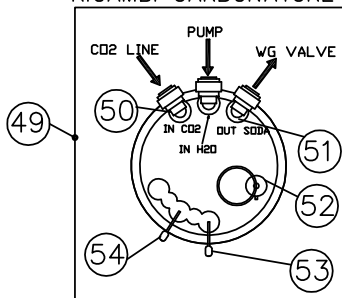
Beskrivelse

43	307890	307890	Ice bank complete IN 55WG R134a
	307821	307821	Ice bank complete IN 55WG R134a (CU)
	213687	213687	Ice bank complete IN 55WG R290
	214007	214007	Ice bank complete IN 55 WG R290 (CU)
44	1501521	207934	Agitator Askoll Micromega 230/1/50
64	304447	304447	Water pressure reducer in yellow brass 3/8FF
70	222758	222758	Pressure reducer for CO2 , double gauge. Max 4,5 bar
78	099093	208095	Water pressure reducer 3/8FF PRV

NIAGARA IN 55 IB ACWG



CARBONATING UNIT PARTS
RICAMBI CARBONATORE



2				
1				
Data: 03-07-2024		MACCHINA NIAGARA IN 55 IB ACWG		
COSMETAL Drinking water solutions		Descrizione HYDRAULIC DIAGRAM		
		Note.		

QUESTO DISEGNO E' TUTELATO DALLE LEGGI SUL COPYRIGHT - TRASGRESSORI SARANNO PERSEGUITI A NORMA DI LEGGE

Beskrivelse

POS:	COSMETAL	CELLI	DESCRIPTION
2	2661711	304953	Gasket
4	2521360	007363	Straight adaptor 3/8M-8 PM010813E
9	2801363	088113	Tube 8 mm LLDPE
10	2521364	046156	TEE JG8 PM0208E
14	2521432	304380	Drainage fitting
23	2521394		Stem adaptor JG 1/4M-8
27	2521515	208095	Water pressure reducer
28	053845	053845	Clip 5/16
29	2521361	011299	Straight adaptor 7/16F-8 PM4508F4S
30	2521504	304433	CO2 pressure reducer double gauge
37	1601497	302786	Stainless steel water coil Niagara 55
45	2801368	045387	Tube 6 mm LLDPE
46	2521436	010422	Reduction elbow 8-6 PM210806E
47	2521490	272073	Reduction bulkhead connector 8-6
48	2521564	304490	Bulkhead connector white 8-8
49	2541510	304758	Carbonating unit 1l with plastic bottoms 6 mm
50	2521479	304410	No return valve
51	304409	304409	Fitting 6 mm of carbonator
52	2641526	207944	Pressure safety valve
53	2521567	304493	Probe 225 mm
54	2521568	304494	Probe 75 mm
55	2521453	009313	Straight reduction stem 8-6 speed fit PM060806E
56	2521454	272105	Stem elbow 6-6 PM220606E
60	1761517011	213404	Brass pump 100l/h 1/4FF MB104Z
61	2521372	272074	Closure ø8 mm



FESTIVO
PORKKA

Colia AS - et selskap i Festivo Porkka Group

Gruppen har en samlet omsetning på cirka NOK 500 millioner og sysselsetter omtrent 300 personer. Vi er representert i UK, Sverige, Norge, Øst Europa og Sentral Europa. Hovedkontoret samt fabrikker er lokalisert i Finland.

Alle produktene i Porkka`s sortiment selges kun gjennom Colia AS.
I tillegg importerer vi kjente merkevarer som Migel (Porkka) ismaskiner, Sinofcold, Liebherr, Igloo, Asber, Cosmetal, Vestfrost, Elcold osv.

Vår visjon er å levere produkter med høy kvalitet og yte god service til våre kunder.

°COLIA

Colia AS
Ringeriksveien 16, 3414 Lierbyen

post@colia.no | www.colia.no | +47 66 98 77 77