

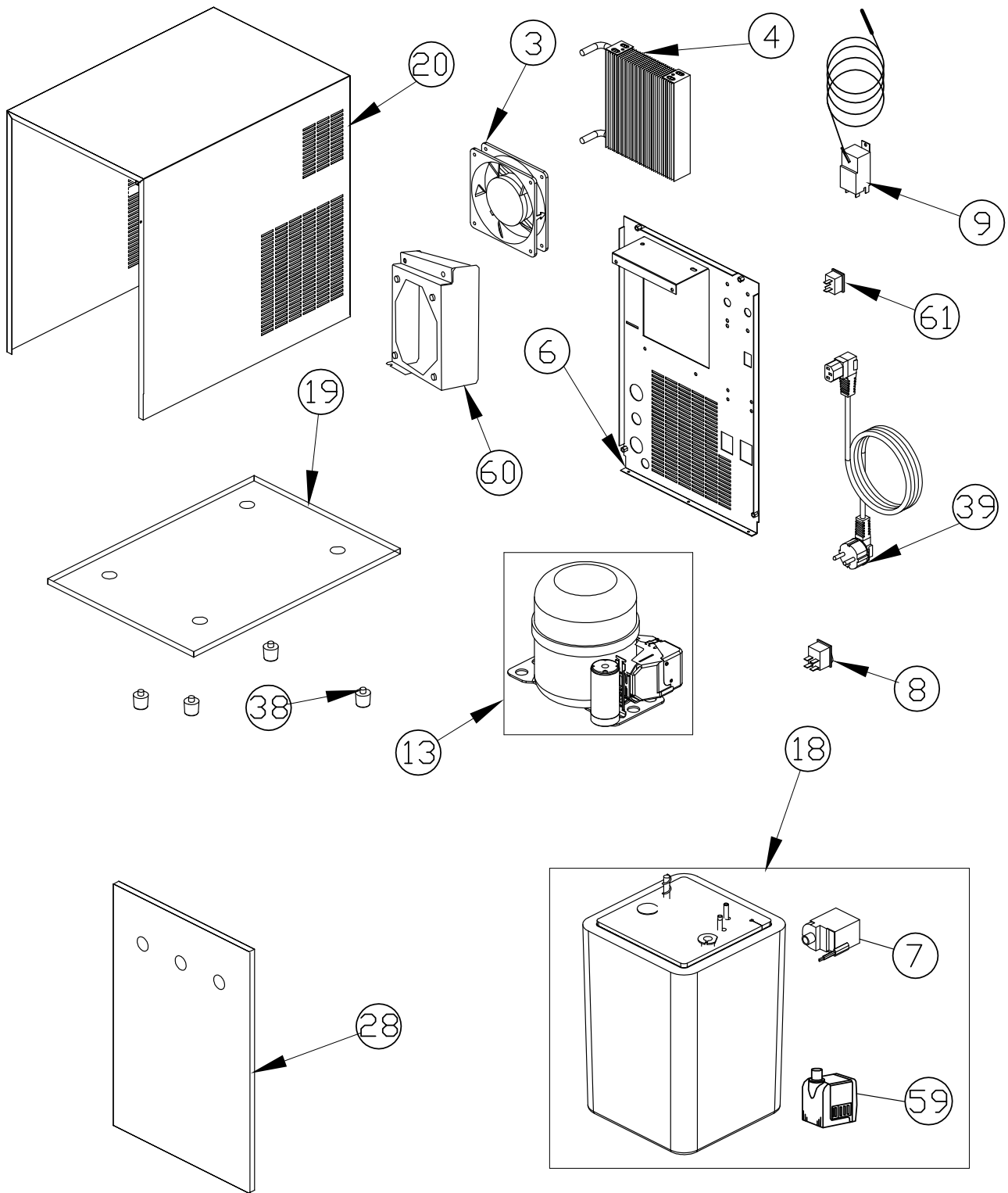
## RESERVEDELER JCLASS IN 30 & 45

Jclass IN IB AC

Jclass IN IB ACWG



# J-CLASS IN 30-45 IB AC R134a & R290

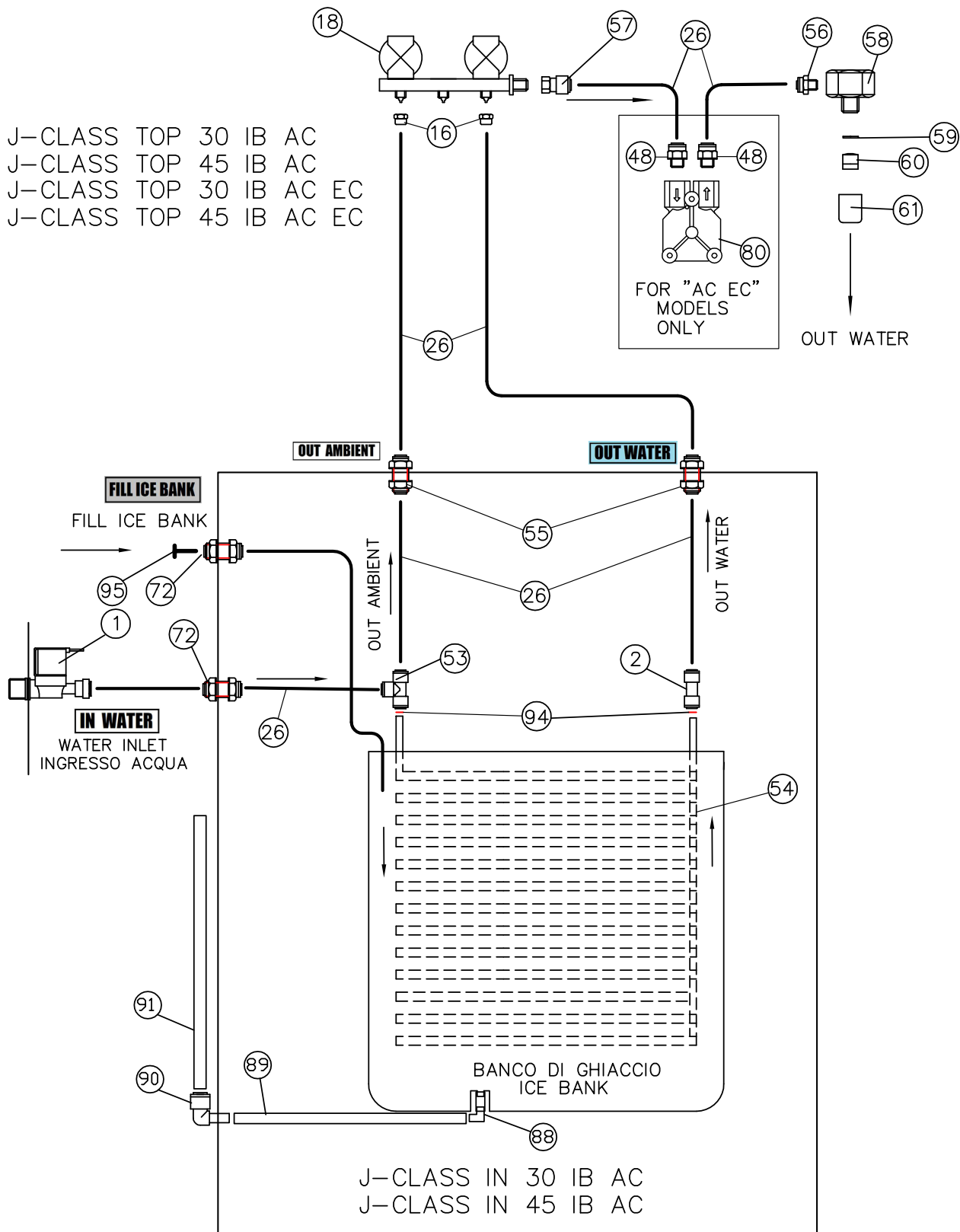


Code		MACCHINA	
Data.		J-CLASS IN 30/45 IB AC R134a & R290	
2023-11-7th	A4	Descrizione	
COSMETAL		GENERAL EXPLODED DRAWING	
Drinking water solutions		Note.	

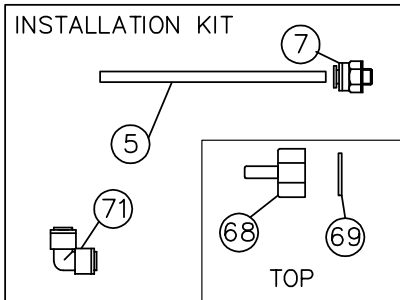
QUESTO DISEGNO È TUTELATO DALLE LEGGI SUL COPYRIGHT - I TRASGRESSORI SARANNO PERSEGUITI A NORMA DI LEGGE

POS:	COSMETAL	CELLI	DESCRIPTION
3	304185 1761101604	304185 208963	Condenser fan X-fan RAH1225B1 230V for R290 Condenser fan 230V R134a
4	1601124	272027	Condenser
6	170111216	226382	Back panel grey
7	1501521	207934	Agitator pump R134a
8	3822714 215789	208160 215789	Main switch 115/230V R134a Main switch explosion proof R290
9	3824929 306645	207955 306645	Thermostat for ice bank R134a Thermostat for ice bank R290
13	1581182 302587	302570 302587	Compressor 230/1/50 for R134a Compressor 230/1/50 for R290
18	307849 215479 307775 815011108 213124 815011110 215689	307849 215479 307775 307773 213124 307775 215689	Complete ice bank 30 "CU" for R134a Complete ice bank 30 "CU" for R290 Complete ice bank 45 "CU" for 134a Complete ice bank 30 for R134a Complete ice bank 30 for R290 Complete ice bank 45 for R134a Complete ice bank 45 for R290
19	170111013	302927	Base Jclass IN
20	170111011	303264	Cabinet white
28	170111012	303263	Front panel grey
38	2781596	305383	Foot
39	3821718	306071	Schuko power cord
59	227078	227078	Agitator pump 230/1/50-60 R290
60	215590	215590	Conveyor Jclass
61	040963	040963	IEC panel connector

J-CLASS TOP 30 IB AC  
 J-CLASS TOP 45 IB AC  
 J-CLASS TOP 30 IB AC EC  
 J-CLASS TOP 45 IB AC EC



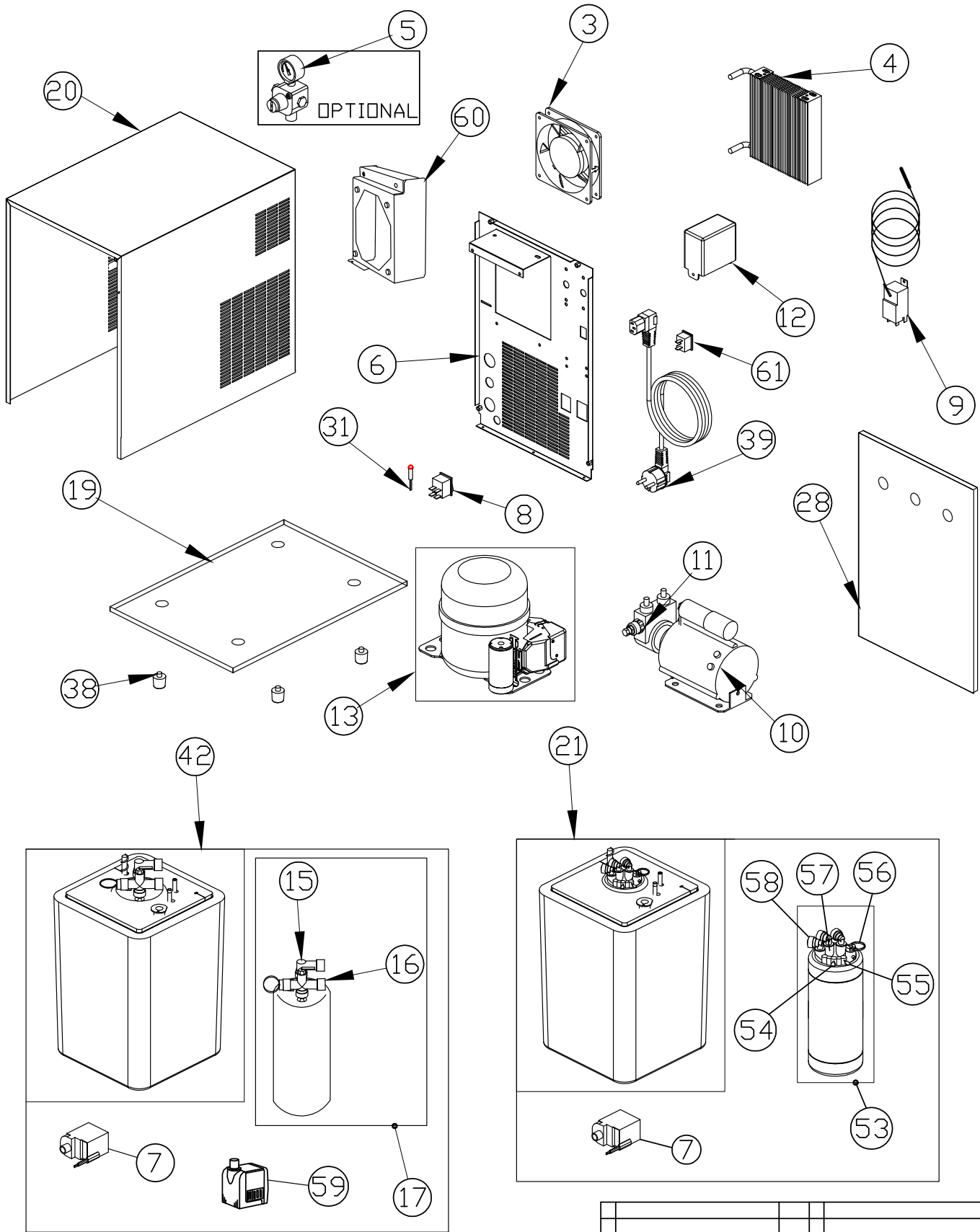
J-CLASS IN 30 IB AC  
 J-CLASS IN 45 IB AC



3		6	
2		5	
1		4	
Rev.	Variazione	Data Rev.	Variazione
Macchina/e e Modello/i. J-CLASS IN/TOP 30/45 IB AC/EC		Data. 23-5-24	
Dis. n°.	Scala.	Descrizione Particolare. HYDRAULIC DIAGRAM	
Codice. --	Formato.	Materiale.	
COSMETAL		Trattamento.	
Disegnato da. M.S.		Note.	
Nome File .DWG.			

POS:	COSMETAL	CELLI	DESCRIPTION
1	2641141 226880	210095 226880	RPE inlet solenoid valve 3/4M-6 230V Alternative ceme inlet solenoid valve 3/4M-6 230V
2	2521422	304371	Straight fitting 6-6 PM0406E
5	2801363	271995	Tube PE 8 x 6
7	2521360	271982	Straight adaptor 3/8M-8 PM010813E
16	4741312	208168	Plastic nut
18	2641140	208093	Solenoid valve 2 in M11-1 out 1/4 230V
26	2801368	272038	Tube PE 6 x 4
48	2521413	008642	Straight adaptor 1/4M-6 PM010612E
53	2521385	304286	Equal TEE JG6 PM0206E
54	1601325 1601336	272181 272084	Stainless steel coil 30 Stainless steel coil 45
55	2521415	068501	Bulkhead connector 6-6 NC2478-P
56	2521421	304370	Straight adaptor 1/8M-6 PM010611E
57	2521420	208119	Straight adaptor 1/4F-6 PM451612E
58	2521118		Stainless steel dispensing fitting 1/8F-3/8M
59	2661526	304943	Gasket for perlator
60	2521120	304252	Aerator
61	2521119	304251	Nozzle
68	2521442	304387	Inlet fitting 3/4F-8
69	2661711	304953	Gasket
71	2521367	272166	Equal Elbow 8-8 PM0308E
72	2521490	272073	Reduction bulkhead connector 8-6
80	208127	208127	Flowmeter 1/4-1/4F
88	208114	208114	Small white elbow
89	272097	272097	Peroxidic silicone pipe 12-8
90	304397	304397	Stem elbow 10-10 PM221010E
91	305744	305744	PVC transparent pipe 7-10
94	272035	272035	Clip 1/4
95	2521372	272074	Closure 8 mm

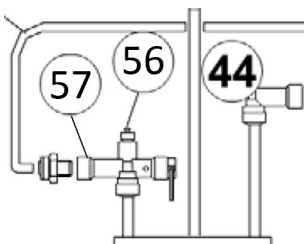
# J-CLASS IN 30-45 IB ACWG R134a & R290



Code		MACCHINA	
---		J-CLASS IN 30/45 IB ACWG R134a & R290	
Data.	2023-11-7th	A4	Descrizione
COSMETAL			GENERAL EXPLODED DRAWING
Drinking water solutions			Note.

QUESTO DISEGNO È TUTELATO DALLE LEGGI SUL COPYRIGHT - I TRASGRESSORI SARANNO PERSEGUITI A NORMA DI LEGGE

POS:	COSMETAL	CELLI	DESCRIPTION
3	304185 1761101604	304185 208963	Condenser fan X-fan RAH1225B1 230V for R290 Condenser fan 230V R134a
4	1601124	272027	Condenser
5	099002	208190	Rechargeable CO2 pressure reducer
6	170111216	226382	Back panel grey
7	1501521	207934	Agitator pump R134a
8	3822714 215789	208160 215789	Main switch 115/230V R134a Main switch explosion proof R290
9	3824929 306645	207955 306645	Thermostat for ice bank R134a Thermostat for ice bank R290
10	1761304005	216018	Sisme motor 230V
11	1761517006	213404	Pump (100lt/h)
12	3821914 3821956	209613 209612	Level control 3821914 Level control 3821956
13	1581182 302587	302570 302587	Compressor 230/1/50 for R134a Compressor 230/1/50 for R290
15	2521419	304369	Carbonating unit water inlet piping
16	2521418	304368	Carbonating unit CO2 inlet piping
17	2541504	304752	Carbonating unit
19	170111013	302927	Base Jclass IN
20	170111011	303264	Cabinet white
21	815011109 815011111	307774 307776	Complete ice bank 30 ACWG R134a Complete ice bank 45 ACWG R134a
28	170111012	303263	Front panel grey
31	815614022	210152	Red light indicator 230V
38	2781596	305383	Foot
39	3821718	306071	Schuko power cord
42	212795 215716 307823 307852 215749 215686	212795 215716 307823 307852 215749 215686	Complete ice bank 30 ACWG R290 Complete ice bank 45 ACWG R290 Complete ice bank 30 ACWG R134a "CU" Complete ice bank 45 ACWG R134a "CU" Complete ice bank 30 ACWG R290 "CU" Complete ice bank 45 ACWG R290 "CU"
53	304758	304758	Complete carbonating unit
54	304494	304494	Probe 75 mm
55	304493	304493	Probe 225 mm
56	2641526	207944	Safety pressure valve
57	304410	304410	No return valve
58	304409	304409	Inlet fitting for carbonator ø6 mm
59	227078	227078	Agitator pump 230/1/50-60 R290
60	215590	215590	Conveyor Jclass
61	040963	040963	IEC panel connector



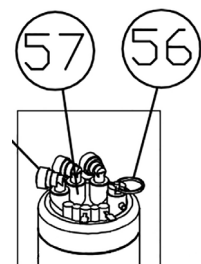
Carbonator older



56 safety valve

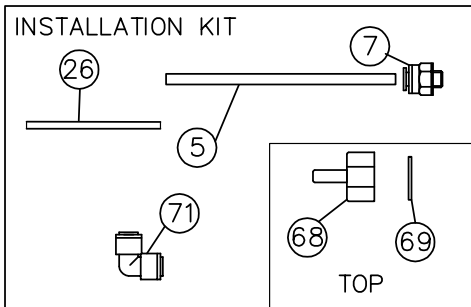
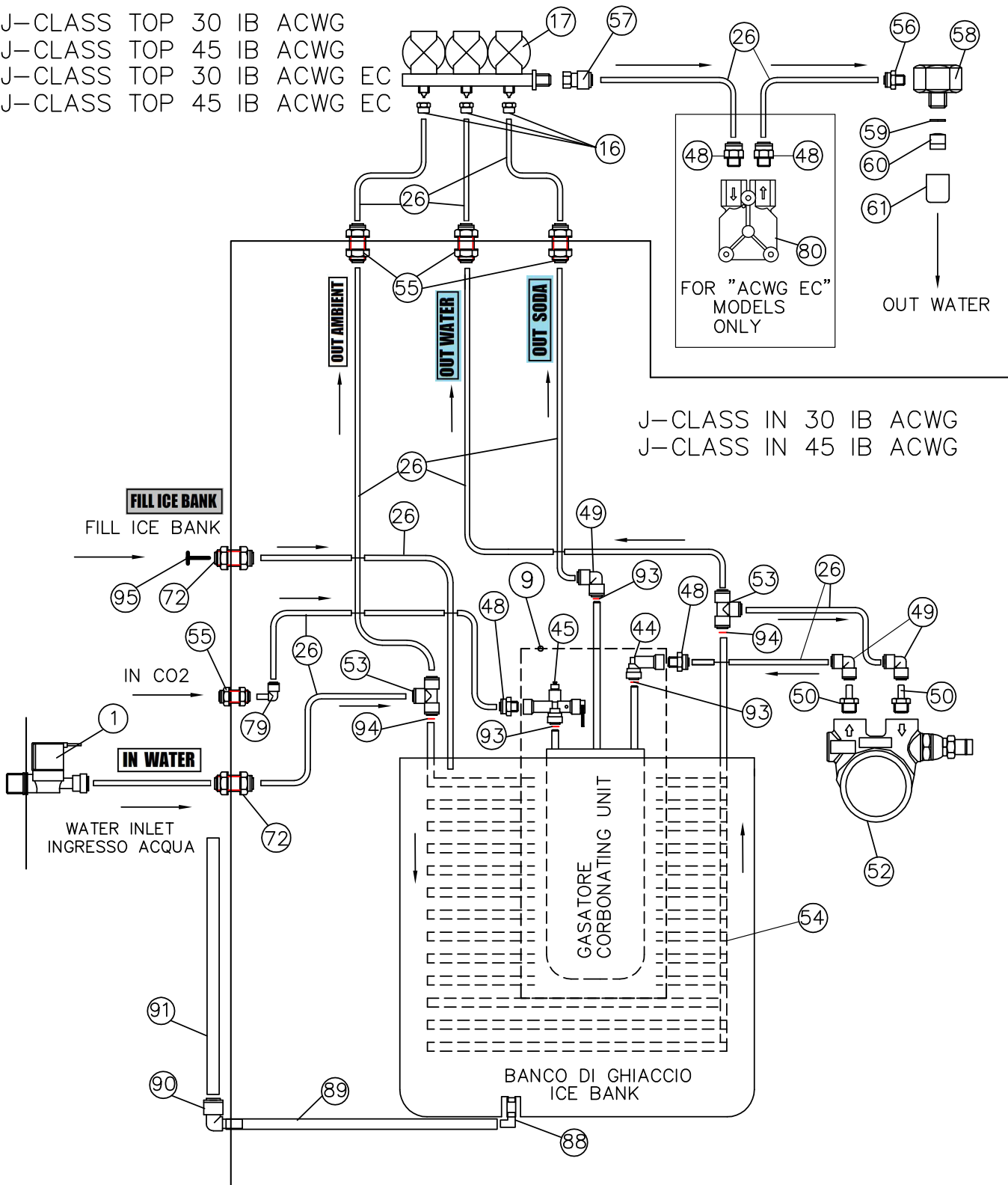


57 no return valve



Carbonator new

J-CLASS TOP 30 IB ACWG  
 J-CLASS TOP 45 IB ACWG  
 J-CLASS TOP 30 IB ACWG EC  
 J-CLASS TOP 45 IB ACWG EC



3		6	
2	-	5	
1		4	
Rev.	Variazione	Data Rev.	Variazione
Macchina/e e Modello/i.		Data	
J-CLASS IN/TOP 30/45 IB ACWG/EC		23-5-24	
Dis. n°.	Scala.	Descrizione Particolare.	
		HYDRAULIC DIAGRAM	
Codice.	Formato.	Materiale.	
COSMETAL		Trattamento.	
Disegnato da M.S.		Note.	
Nome File .DWG.			



POS:	COSMETAL	CELLI	DESCRIPTION
1	2641141 226880	210095 226880	RPE inlet solenoid valve 3/4M-6 230V Alternative ceme inlet solenoid valve 3/4M-6 230V
5	2801363	271995	Tube PE 8 x 6
7	2521360	271982	Straight adaptor 3/8M-8 PM010813E
9	304752	304752	Carbonating unit
16	4741312	208168	Plastic nut
17	2641127	208133	3 x solenoid valve 230V 3 IN / 1 OUT
26	2801368	272038	Tube PE 6 x 4
44	2521419 304410	304369 304410	Carbonating water inlet piping Check valve DW10
45	2521418 304410 2641527 2641141	304368 304410 2641527 304902	Carbonating CO2 inlet piping Check valve DW10 112 mm probe + bushing Security valve 230V
48	2521413	008642	Straight adaptor 1/4M-6 PM010612E
49	2521436	272034	Reduction elbow 8-6 PM10806E
50	2521363	007446	Stem adaptor 3/8M-8 PM050813E
52	1761517006	304227	Pump (100 lt/h
53	2521385	304286	Equal TEE JG6 PM0206E
54	1601325 1601336	272181 272084	Stainless steel coil 30 Stainless steel coil 45
55	2521415	068501	Bulkhead connector 6-6 NC2478-P
56	2521421	304370	Straight adaptor 1/8M-6 PM010611E
57	2521420	208119	Straight adaptor 1/4F-6 PM451612E
58	2521118		Stainless steel dispensing fitting 1/8F-3/8M
59	2661526	304943	Gasket for perlator
60	2521120	304252	Aerator
61	2521119	304251	Nozzle
68	2521442	304387	Inlet fitting 3/4F-8
69	2661711	304953	Gasket
71	2521367	272166	Equal Elbow 8-8 PM0308E
72	2521490	272073	Reduction bulkhead connector 8-6
79	2521454	272105	Elbow + shank 6-6 PM220606E
80	208127	208127	Flowmeter 1/4-1/4F
88	208114	208114	Small white elbow
89	272097	272097	Peroxidic silicone pipe 12-8
90	304397	304397	Stem elbow 10-10 PM221010E
91	305744	305744	PVC transparent pipe 7-10
94	272035	272035	Clip 1/4
95	2521372	272074	Closure 8 mm



FESTIVO  
**PORKKA**

**Colia AS - et selskap i Festivo Porkka Group**

Gruppen har en samlet omsetning på cirka NOK 500 millioner og sysselsetter omtrent 300 personer. Vi er representert i UK, Sverige, Norge, Øst Europa og Sentral Europa. Hovedkontoret samt fabrikker er lokalisert i Finland.

Alle produktene i Porkka`s sortiment selges kun gjennom Colia AS. I tillegg importerer vi kjente merkevarer som Migel (Porkka) ismaskiner, Sinofcold, Liebherr, Igloo, Asber, Cosmetal, Vestfrost, Elcold osv.

Vår visjon er å levere produkter med høy kvalitet og yte god service til våre kunder.

---

**°COLIA**

Colia AS  
Ringeriksveien 16, 3414 Lierbyen

post@colia.no | www.colia.no | +47 66 98 77 77