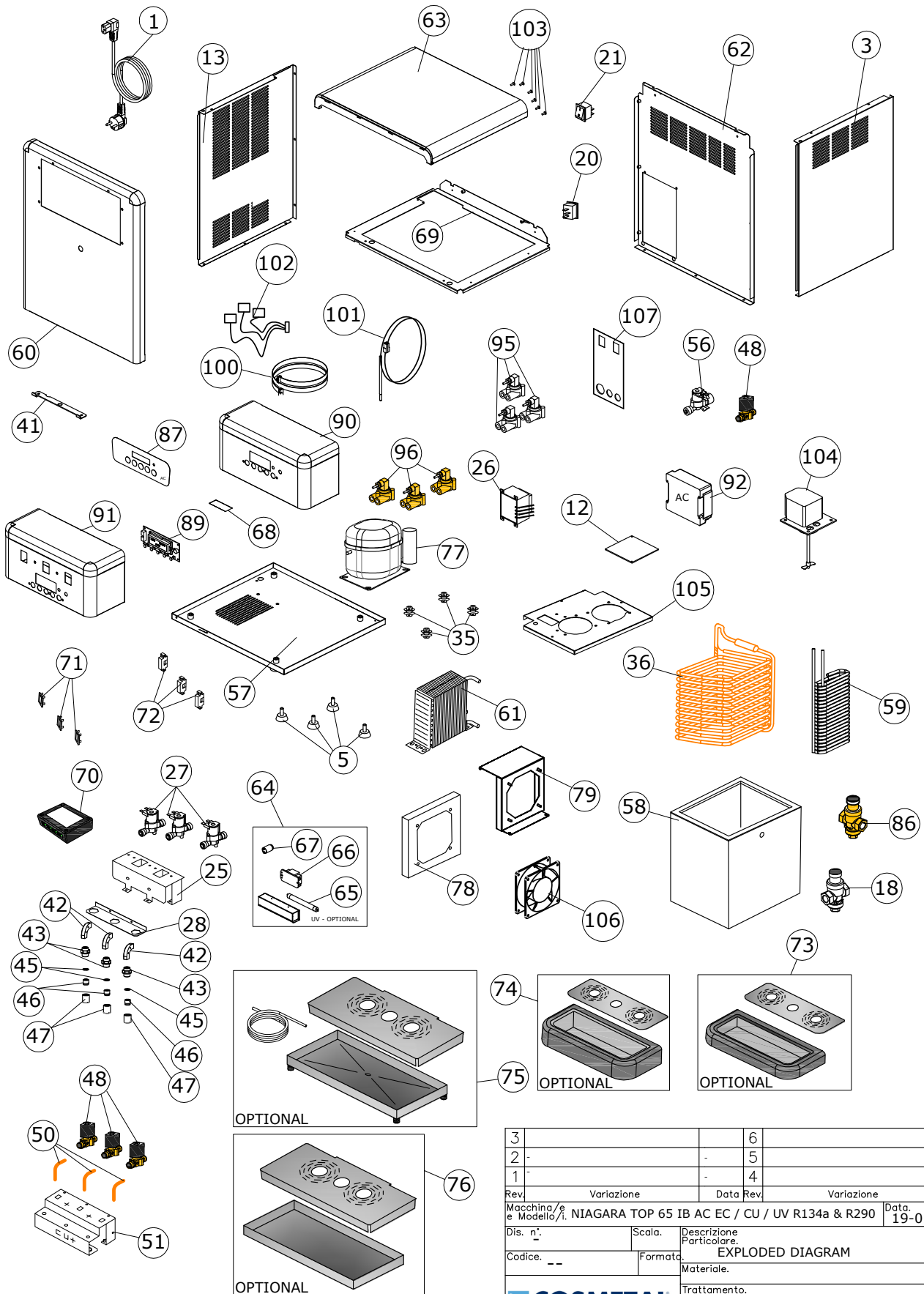


RESERVEDELER COSMETAL NIAGARA TOP 65



NIAGARA TOP 65 IB AC EC / CU / UV R134a & R290



3		6		
2	-	5		
1	-	4		
Rev.	Variazione	Data Rev.	Variazione	Data
Macchina/e e Modello/i. NIAGARA TOP 65 IB AC EC / CU / UV R134a & R290				Data. 19-01-2024
Dis. n°.	Scala.	Descrizione Particolare.		
Codice. --	Formato.	EXPLODED DIAGRAM		
Materiale.				
Trattamento.				
Disegnato da. M.S.		Note.		
Nome File .DWG.				

Beskrivelse

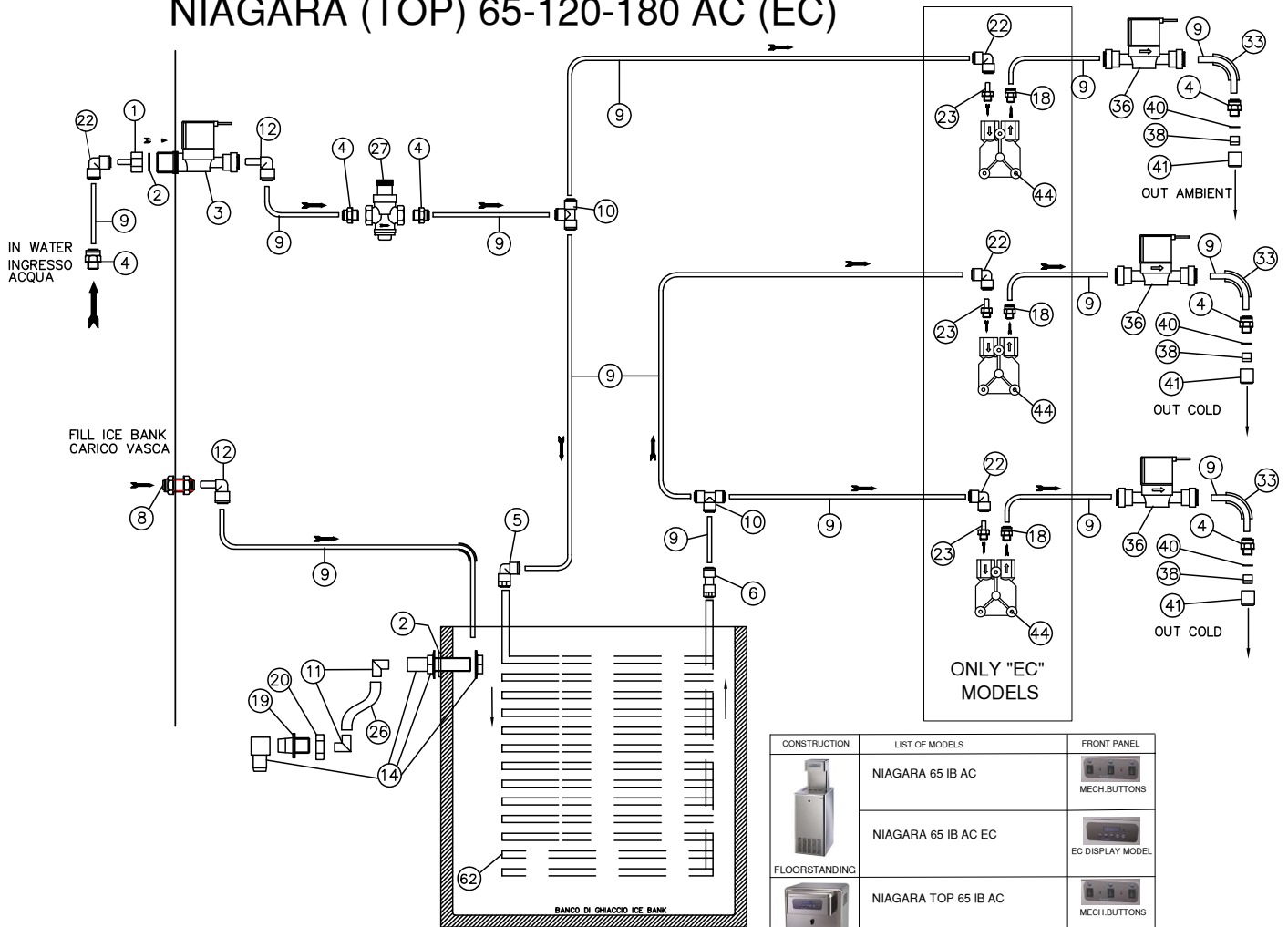
POS:	COSMETAL	CELLI	DESCRIPTION
1	3821718	306071	Shuko power cord
3	304103	304103	Side panel right stainless steel
5	271999	271999	Adjustable feet M8
12	303963	303963	Metal cover for hole
13	304104	304104	Side panel left stainless steel
18	2521515	208095	Water pressure reducer 3/8FF
20	3824515	040963	IEC power connector
21	3822714 215789	208160 215789	Main switch green for R134a Main switch black for R290
25	304067	304067	Bracket for solenoid valves
26	3825101009 306663	207957 306663	Transformer 230V - 24V 30VA Transformer 230V - 24V 40VA
27	2641143 226274	208893 226274	Solenoid valve RPE JG8 in - out 24V Alternative solenoid valve EKI JG8 in - out 24V
28	304066	304066	Bracket for outlet fittings
35	272026	272026	Anti-vibration support for compressor
36	1601330 302754	302639 302754	Evaporator Niagara 65 for R134a Evaporator Niagara 65 for R290
41	305508	305508	Bracket for tray fixing stainless steel
42	011256	011256	Pipe curve 8 - 5/16
43	2521360	271982	Straight fitting 3/8M-8
45	2661526	304943	Gasket for perlator
46	2521120	304252	Aerator perlator
47	2521119	304251	Nozzle stainless steel
48	304836 304819	304836 304819	Brass solenoid valve Olab 24VAC 1/8FF Alternative CEME brass solenoid valve 24VAC 1/8FF
50	302716	302716	Outlet pipe copper ø8
51	304117	304117	Bracket for solenoid valves CU+
56	2641138 226271	209443 226271	Safety solenoid valve 24VAC 3/4M-JG8 Alternative safety solenoid valve EKI 24VAC JG8 in - out
57	1704152	304081	Base top 65
58	1702757	280676	Tank Niagara 65
59	1601327 302713	302636 302713	Water coil Niagara 65 stainless steel Water coil Niagara 65 copper
60	1704153	308073	Front panel TOP 65 included corners
61	1601127 083615	031358 083615	Condenser Niagara 65 for R134a Double condenser Niagara 65 for R290
62	1704154	304086	Rear panel TOP 65
63	308068	308068	Top panel TOP 65 in stainless steel with reinforcement
64	099036	301874	Complete UV box 230/1/50
65	3822913	306396	UV lamp 4W
66	3822501	210103	Feeder 230/1/50
67	3822503	306334	Starter 230/1/50
68	2781561	208174	UV plastic protection
69	304088	304088	Frame for Niagara TOP 65
70	107924	107924	Touch less PCB main board
71	107863 107862	107863 107862	Clip (int) Clip (ext)

Beskrivelse

POS:	COSMETAL	CELLI	DESCRIPTION
72	107870	107870	Omron light on sensor
73	090023 206845	206845 206849	Drip tray VR-P complete low without drainage Drip tray VR-P2 complete low included drainage
74	301900 301901	301900 301901	Drip tray VR-PA complete high without drainage Drip tray VR-PA2 complete high included drainage
75	209529	209529	Drip tray VR-IS2 complete in stainless steel included drainage
76	099113	206863	Drip tray VR-IS complete in stainless steel without drainage
77	077967 1581181	077967 208940	Compressor Secop TL3CN 230/1/50-60 for R290 Compressor Secop TL4G 230/1/50-60 for R134a
78	303975	303975	Conveyor for condenser fan Niagara 65 for R134a
79	303546	303546	Conveyor for condenser fan Niagara 65 for R290
86	304447	304447	Water pressure reducer in yellow brass 3/8FF
87	307086	307086	Adhesive plate Niagara AC EC
89	208121	208121	Display PCB board 5 buttons
90	307934	307934	Push button crosspiece TOP EC
91	308259	308259	Push button crosspiece TOP EC touch less
92	210098	210098	PCB control board Niagara AC EC
95	208127	208127	Plastic flowmeter 1/4FF
96	306477	306477	Brass flowmeter 1/4FF
100	306429	306429	Flat cable 8 ways from control board to display
101	209603	209603	Temperature sensor for ice bank with connectors
102	306268	306268	Cable for the 3 flowmeter's
103	271992	271992	Screw M4 x 10 stainless steel
104	17613010	208172	Agitator 230/1/50 short
105	303936	303936	Cover of Niagara 65 ice bank
106	1761101603	208080	Condenser fan 120x120x38 230/1/50
107	304090	304090	Control plate Niagara TOP EC

Hydrotegning Niagara TOP 65 IBAC

NIAGARA (TOP) 65-120-180 AC (EC)

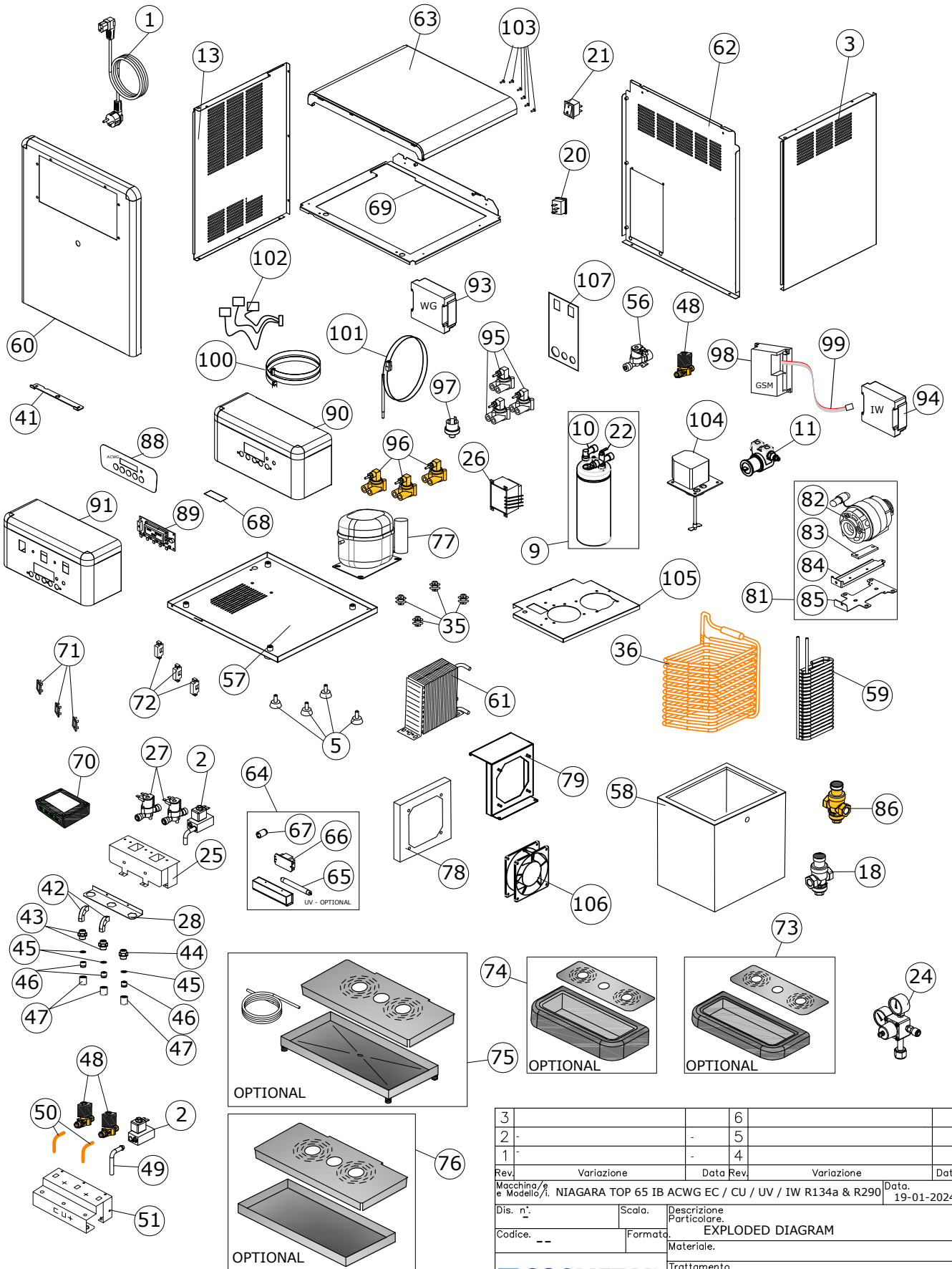


CONSTRUCTION	LIST OF MODELS	FRONT PANEL
FLOORSTANDING	NIAGARA 65 IB AC	MECH.BUTTONS
	NIAGARA 65 IB AC EC	EC DISPLAY MODEL
TOP	NIAGARA TOP 65 IB AC	MECH.BUTTONS
	NIAGARA TOP 65 IB AC EC	EC DISPLAY MODEL

Beskrivelse

POS:	COSMETAL	CELLI	DESCRIPTION
1	2521442	304387	Inlet fitting 3/4F - STEM 8
2	2661711	304953	Gasket
3	209443 121291	209443 121291	Safety valve 24V 3/4M-JG8 Alternative safety valve CEME 24V 3/4M - JG8
4	2521360	007363	Straight adaptor 3/8M-8 PM010813E
5	2521433	039747	Elbow super seal 5/16 SM030808S
6	056183	056183	Straight super seal 5/16 SM040808S
8	2521371	007444	Bulkhead connector 8-8 PM1208E
9	2801363	088113	Tube 8 mm LLDPE
10	2521364	046156	TEE JG8 PM0208E
11	2621105	208114	Elbow white small
12	EW-PM220808E	046469	Stem elbow 8-8 PM220808E
14	2521432	304380	Drainage fitting
18	2521362	007362	Straight adaptor 1/4M-8 PM010812E
19	2521474	304405	Drainage connector
20	4741330	306681	Brass nut 1/4
22	2521367	067392	Equal elbow 8-8 PM0308E
23	2521394	304349	Stem Adaptor 1/4M - 8 PM050812E
26	272097	272097	Silicone tube
27	2521515	208095	Water pressure reducer
33	011256	011256	Flow bend clip 8-8 PM2608S
36	2641143 226274	208893 226274	Solenoid valve RPE 24V JG8 in - out Alternative solenoid valve EKI 24V JG8 in - out
38	2521120	304252	Plastic aerator
40	2661526	304943	Gasket for perlator
41	2521119	304251	Nozzle in stainless steel
44	208127	208127	Plastic flowmeter 1/4FF
62	302636 302638 302637	302636 302638 302637	Stainless steel water coil Niagara 65 Stainless steel water coil Niagara 180 Stainless steel water coil Niagara 120

NIAGARA TOP 65 IB ACWG EC / CU / UV / IW R134a & R290



3		6		
2		5		
1		4		
Rev.	Variazione	Data Rev.	Variazione	Data
Macchina/Modello/NIAGARA TOP 65 IB ACWG EC / CU / UV / IW R134a & R290				Data 19-01-2024
Dis. n°	Scala.	Descrizione Particolare. EXPLODED DIAGRAM		
Codice.	Formato.	Materiale.		
		Trattamento.		
		Disegnato da M.S.		Note.
		Nome File .DWG.		

Beskrivelse

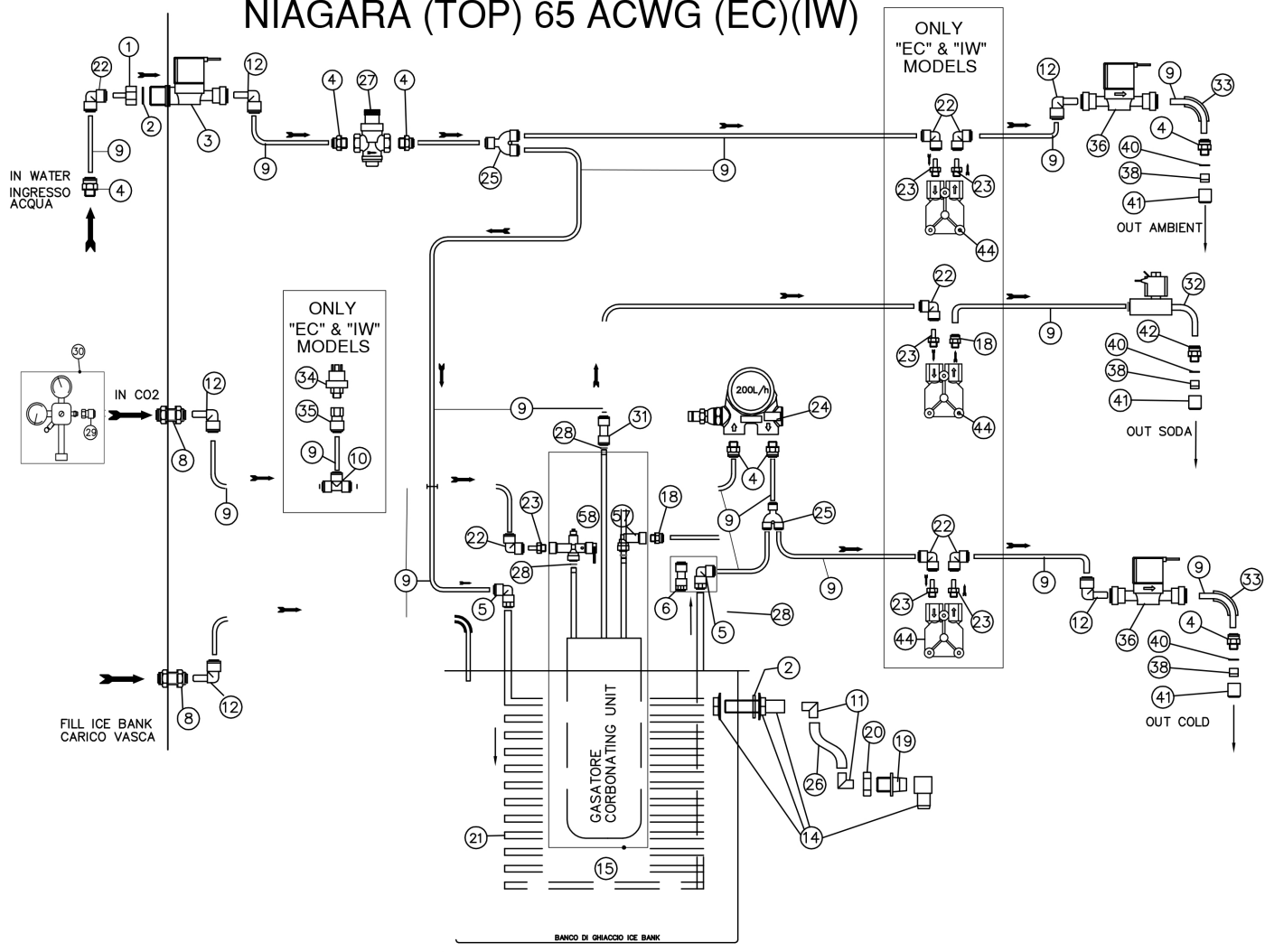
POS:	COSMETAL	CELLI	DESCRIPTION
1	3821718	306071	Shuko power cord
2	099198	304844	Solenoid valve for sparkling water with flow regulator
3	304103	304103	Side panel right stainless steel
5	271999	271999	Adjustable feet M8
9	82781169	308960	Complete carbonator 1l. Included probe with brackets
10	2521419	304369	H2O in fitting of the carbonator
11	1761514002	207937	Brass pump 200l/h 3/8FF
13	304104	304104	Side panel left stainless steel
18	2521515	208095	Water pressure reducer 3/8FF
20	3824515	040963	IEC power connector
21	3822714 215789	208160 215789	Main switch green for R134a Main switch black for R290
22	2521418 2641527 2521479 2641526	304368 304902 304410 207944	CO2 in fitting of the carbonator Probe 112 mm with bushing No return valve Safety pressure valve
24	090026	222758	CO2 pressure reducer including fitting 8 mm
25	304067	304067	Bracket for solenoid valves
26	3825101009 306663	207957 306663	Transformer 230V - 24V 30VA Transformer 230V - 24V 40VA
27	2641143 226274	208893 226274	Solenoid valve RPE JG8 in - out 24V Alternative solenoid valve EKI JG8 in - out 24V
28	304066	304066	Bracket for outlet fittings
35	272026	272026	Anti-vibration support for compressor
36	1601330 302754	302639 302754	Evaporator Niagara 65 for R134a Evaporator Niagara 65 for R290
41	305508	305508	Bracket for tray fixing stainless steel
42	011256	011256	Pipe curve 8 - 5/16
43	2521360	271982	Straight fitting 3/8M-8
44	2521370	304337	Straight fitting 3/8M-10
45	2661526	304943	Gasket for perlator
46	2521120	304252	Aerator perlator
47	2521119	304251	Nozzle stainless steel
48	304836 304819	304836 304819	Brass solenoid valve Olab 24VAC 1/8FF Alternative CEME brass solenoid valve 24VAC 1/8FF
49	305801	305801	Outlet stainless steel pipe ø10 for WG - CU
50	302716	302716	Outlet pipe copper ø8
51	304117	304117	Bracket for solenoid valves CU+
56	2641138 226271	209443 226271	Safety solenoid valve 24VAC 3/4M-JG8 Alternative safety solenoid valve EKI 24VAC JG8 in - out
57	1704152	304081	Base top 65
58	1702757	280676	Tank Niagara 65
59	1601327 302713	302636 302713	Water coil Niagara 65 stainless steel Water coil Niagara 65 copper
60	1704153	308073	Front panel TOP 65 included corners
61	1601127 083615	031358 083615	Condenser Niagara 65 for R134a Double condenser Niagara 65 for R290
62	1704154	304086	Rear panel TOP 65

Beskrivelse

POS:	COSMETAL	CELLI	DESCRIPTION
63	308068	308068	Top panel TOP 65 in stainless steel with reinforcement
64	099036	301874	Complete UV box 230/1/50
65	3822913	306396	UV lamp 4W
66	3822501	210103	Feeder 230/1/50
67	3822503	306334	Starter 230/1/50
68	2781561	208174	UV plastic protection
69	304088	304088	Frame for Niagara TOP 65
70	107924	107924	Touch less PCB main board
71	107863	107863	Clip (int)
	107862	107862	Clip (ext)
72	107870	107870	Omron light on sensor
73	090023	206845	Drip tray VR-P complete low without drainage
	206845	206849	Drip tray VR-P2 complete low included drainage
74	301900	301900	Drip tray VR-PA complete high without drainage
	301901	301901	Drip tray VR-PA2 complete high included drainage
75	209529	209529	Drip tray VR-IS2 complete in stainless steel included drainage
76	099113	206863	Drip tray VR-IS complete in stainless steel without drainage
77	077967	077967	Compressor Secop TL3CN 230/1/50-60 for R290
	1581181	208940	Compressor Secop TL4G 230/1/50-60 for R134a
78	303975	303975	Conveyor for condenser fan Niagara 65 for R134a
79	303546	303546	Conveyor for condenser fan Niagara 65 for R290
81	214571	214571	Complete adaption kit for SISME motor 230/1/50
82	216019	216019	SISME motor 230/1/50
83	213879	213879	Anti-vibration plate for SISME motor
84	213803	213803	Narrow bracket for motor
85	213957	213957	Lower bracket for motor
86	304447	304447	Water pressure reducer in yellow brass 3/8FF
88	307082	307082	Adhesive plate Niagara ACWG EC
89	208121	208121	Display PCB board 5 buttons
90	307934	307934	Push button crosspiece TOP EC
91	308259	308259	Push button crosspiece TOP EC touch less
93	208906	208906	PCB control board Niagara ACWG EC
94	306589	306589	PCB control board Niagara 644 ACWG EC intelliwater
95	208127	208127	Plastic flowmeter 1/4FF
96	306477	306477	Brass flowmeter 1/4FF
97	306527	306527	CO2 pressure switch
98	306588	306588	GCM PCB board Niagara 1W
99	306154	306154	Flat cable 4 ways from control board to display
100	306429	306429	Flat cable 8 ways from control board to display
101	209603	209603	Temperature sensor for ice bank with connectors
102	306268	306268	Cable for the 3 flowmeter's
103	271992	271992	Screw M4 x 10 stainless steel
104	17613010	208172	Agitator 230/1/50 short
105	303936	303936	Cover of Niagara 65 ice bank
106	1761101603	208080	Condenser fan 120x120x38 230/1/50
107	304090	304090	Control plate Niagara TOP EC

Hydrotegning Niagara TOP 65 IBACWG

NIAGARA (TOP) 65 ACWG (EC)(IW)



CONSTRUCTION	LIST OF MODELS	FRONT PANEL	NOTE
FLOORSTANDING	NIAGARA 65 IB ACWG	MECH.BUTTONS	
	NIAGARA 65 IB ACWG EC	EC DISPLAY MODEL	
	NIAGARA 65 IB ACWG EC IW	EC DISPLAY MODEL	INTELLWATER MODEL
TOP	NIAGARA TOP 65 IB ACWG	MECH.BUTTONS	
	NIAGARA TOP 65 IB ACWG EC	EC DISPLAY MODEL	
	NIAGARA TOP 65 IB ACWG EC IW	EC DISPLAY MODEL	INTELLWATER MODEL

Beskrivelse

POS:	COSMETAL	CELLI	DESCRIPTION
1	2521442	304387	Inlet fitting 3/4F - STEM 8
2	2661711	304953	Gasket
3	209443 121291	209443 121291	Safety valve 24V 3/4M-JG8 Alternative safety valve CEME 24V 3/4M - JG8
4	2521360	007363	Straight adaptor 3/8M-8 PM010813E
5	2521433	039747	Elbow super seal 5/16 SM030808S
6	056183	056183	Straight super seal 5/16 SM040808S
8	2521371	007444	Bulkhead connector 8-8 PM1208E
9	2801363	088113	Tube 8 mm LLDPE
10	2521364	046156	TEE JG8 PM0208E
11	2621105	208114	Elbow white small
12	EW-PM220808E	046469	Stem elbow 8-8 PM220808E
14	2521432	304380	Drainage fitting
15	82781169	308960	Carbonating unit with brackets
18	2521362	007362	Straight adaptor 1/4M-8 PM010812E
19	2521474	304405	Drainage connector
20	4741330	306681	Brass nut 1/4
21	1601327	302636	Stainless steel water coil Niagara 65
22	2521367	067392	Equal elbow 8-8 PM0308E
23	2521394	304349	Stem Adaptor 1/4M - 8 PM050812E
24	1761514002	207937	Brass pump 200l/h 3/8FF
25	007050 069514	007050 069514	Y fitting 8 mm PM2308S Alternative Y divider 8 mm RM2308E
26	272097	272097	Silicone tube
27	2521515	208095	Water pressure reducer
28	053845	053845	Clip 5/16
29	011299	011299	Straight adaptor 7/16F-8 PM4508F4S
30	090026	304433	CO2 pressure reducer double gauge
31	2521365	068555	Straight connector 8-8 PM0408E
32	099198	304844	Solenoid valve sparkling water 24VAC JG8
33	011256	011256	Flow bend clip 8-8 PM2608S
34	306527	306527	CO2 pressure switch



FESTIVO
PORKKA

Colia AS - et selskap i Festivo Porkka Group

Gruppen har en samlet omsetning på cirka NOK 500 millioner og sysselsetter omtrent 300 personer. Vi er representert i UK, Sverige, Norge, Øst Europa og Sentral Europa. Hovedkontoret samt fabrikker er lokalisert i Finland.

Alle produktene i Porkka`s sortiment selges kun gjennom Colia AS.
I tillegg importerer vi kjente merkevarer som Migel (Porkka) ismaskiner, Sinofcold, Liebherr, Igloo, Asber, Cosmetal, Vestfrost, Elcold osv.

Vår visjon er å levere produkter med høy kvalitet og yte god service til våre kunder.

°COLIA

Colia AS
Ringeriksveien 16, 3414 Lierbyen

post@colia.no | www.colia.no | +47 66 98 77 77