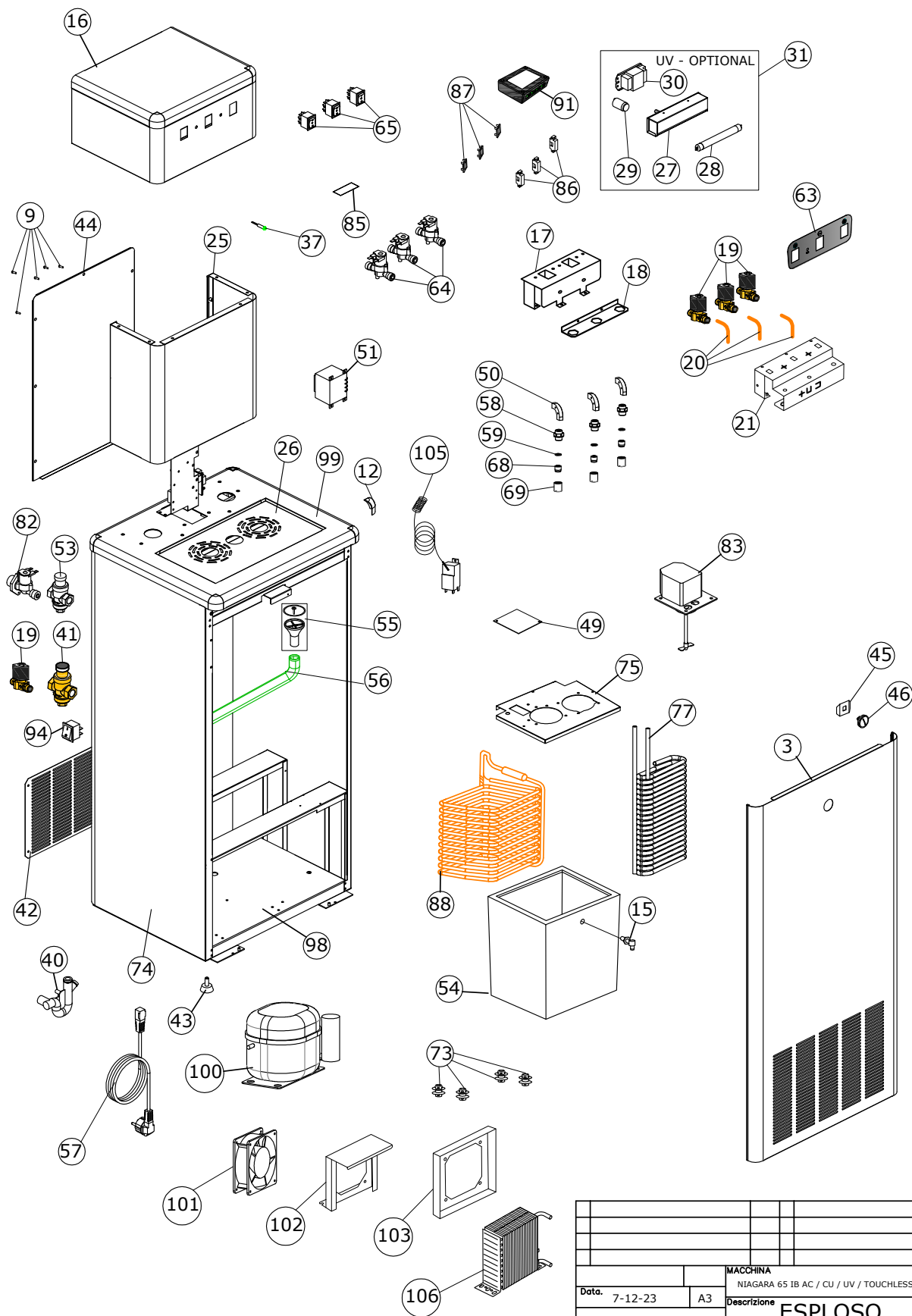


## RESERVEDELER COSMETAL NIAGARA GULV 65



# Reservedelstegning Niagara gulv 65 IBAC

NIAGARA 65 IB AC / CU / UV / TOUCHLESS R134a & R290



MACCHINA		NIAGARA 65 IB AC / CU / UV / TOUCHLESS R134a & R290	
Data.	7-12-23	A3	Descrizione
COSMETAL		ESPLOSO	
Disegnato da		M.S.	Note.

QUESTO DISEGNO È TUTELATO DALLE LEGGI SUL COPYRIGHT - I TRASDROSSORI SARANNO PERSEGUITI A NORMA DI LEGGE

## Beskrivelse

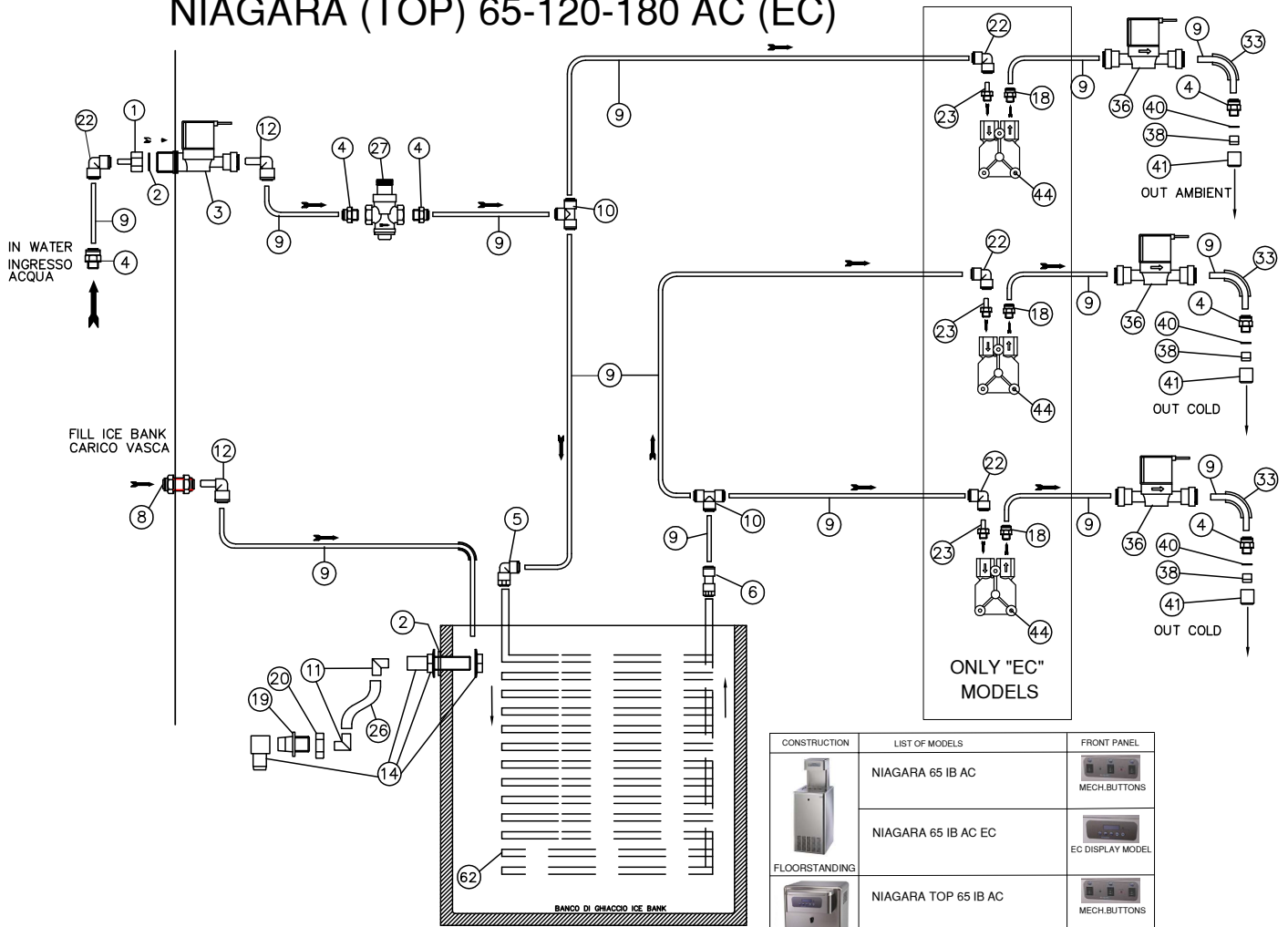
POS:	COSMETAL	CELLI	DESCRIPTION
3	1704115 1704134	209591 210099	Front panel skin plate (C8) Front panel stainless steel (C6)
9	271992	271992	Closure screw M4x12
12	272063	272063	Stainless steel corner for sink
15	304380	304380	Drainage fitting of ice bank
16	815613001	208081	Dispensing head of Niagara
17	304067	304067	Bracket for plastic solenoid valve
18	304066	304066	Bracket stainless steel with 3 ex hole
19	304836	304836	Brass solenoid valve Olab 24VAC
20	302716	302716	Outlet pipe in copper ø8 mm
21	304117	304117	Bracket foot stainless steel Niagara CU+
25	1704135	208082	Column of Niagara FS
26	170110931	208170	Deep grille for drip tray
27	301874	301874	UV box
28	3822913	306396	UV lamp 4W
29	3822503	306334	Starter for UV lamp 230/1/50
30	3822501	210103	Ballast for UV lamp 230/1/50
31	099036	301861	UV kit complete for Niagara
37	815614021	208106	Green panel light
40	208169	208169	Siphon
41	304447	304447	Brass water pressure reducer 3/8FF
42	2781706 2781701	305481 305476	Grille for aeration skin plate (C8) Grille for aeration stainless steel (C6)
43	2781319	305159	Adjustable feet
44	1704162	304027	Rear panel
45	272165	272165	Metal spacer for plastic lock
46	2781559	208137	Closure
49	303963	303963	Plate for closure
50	011256	011256	Pipe curve 8 mm - 5/16
51	3825101009 3825101008	207957 306663	Transformer 230 - 24V 30VA Transformer 230 - 24V 40VA
53	2521515	208095	Water pressure reducer 3/8FF
54	1702757	280676	Ice bank tank for Niagara 65
55	090096	207929	Funnel sink drain
56	2801318	208098	Drainage tube
57	815614005	272069	Shuko power cord
58	2521360	271982	Straight fitting 3/8M-8
59	2661526	304943	Gasket for aerator
63	307087	307087	Push button adhesive AC mechanical
64	2641143 226274	208893 226274	Solenoid valve RPE 24VAC JG8 in - out Alternative solenoid valve EKI 24VAC JG8 in - out
65	3822719	207953	Mechanical button I - 0 - II for dispensing
68	2521120	304252	Plastic aerator
69	2521119	304251	Nozzle stainless steel
73	272026	272026	Anti-vibration for compressor
74	1704158 1704159	208083 304048	Cabinet AC model skin plate (C8) Cabinet AC model stainless steel (C6)
75	303936	303936	Cover for ice bank of Niagara 65

## Beskrivelse

POS:	COSMETAL	CELLI	DESCRIPTION
77	1601327 302713	302636 302713	Water coil stainless steel Niagara 65 Water coil copper Niagara 65
82	2641138 226271	209443 226271	Safety valve 24VAC 3/4M-JG8 Alternative safety valve EKI 24VAC 3/4M-JG8
83	17613010	208172	Agitator for Niagara 65 (short)
85	2781561	208174	UV plastic protection
86	107870	107870	Omron light on sensor
87	107863 107862	107863 107862	Clip (int) Clip (ext)
88	1601330 302754	302639 302754	Evaporator Niagara 65 for R134a Evaporator Niagara 65 for R290
91	107924	107924	PCB touch less control
94	3822714 215789	208160 215789	Main switch green for R134a Main switch black for R290
98	1704122	303986	Base
99	82801352	308978	Complete sink for Niagara FS AC
100	1581181 302493	208940 302493	Compressor Secop TL4G for R134a 230/1/50-60 Compressor Secop TL3CN for R290 230/1/50
101	1761101604	208080	Condenser fan motor 120x120x38 230/1/50
102	303546	303546	Conveyor for fan motor R290
103	303975	303975	Conveyor for fan motor R134a
105	3824929 306645	207955 306645	Thermostat for R134a Thermostat for R290
106	1601127 083615	031358 083615	Condenser R134a Double layer condenser for R290

# Hydrotegning Niagara gulv 65 IBAC

## NIAGARA (TOP) 65-120-180 AC (EC)



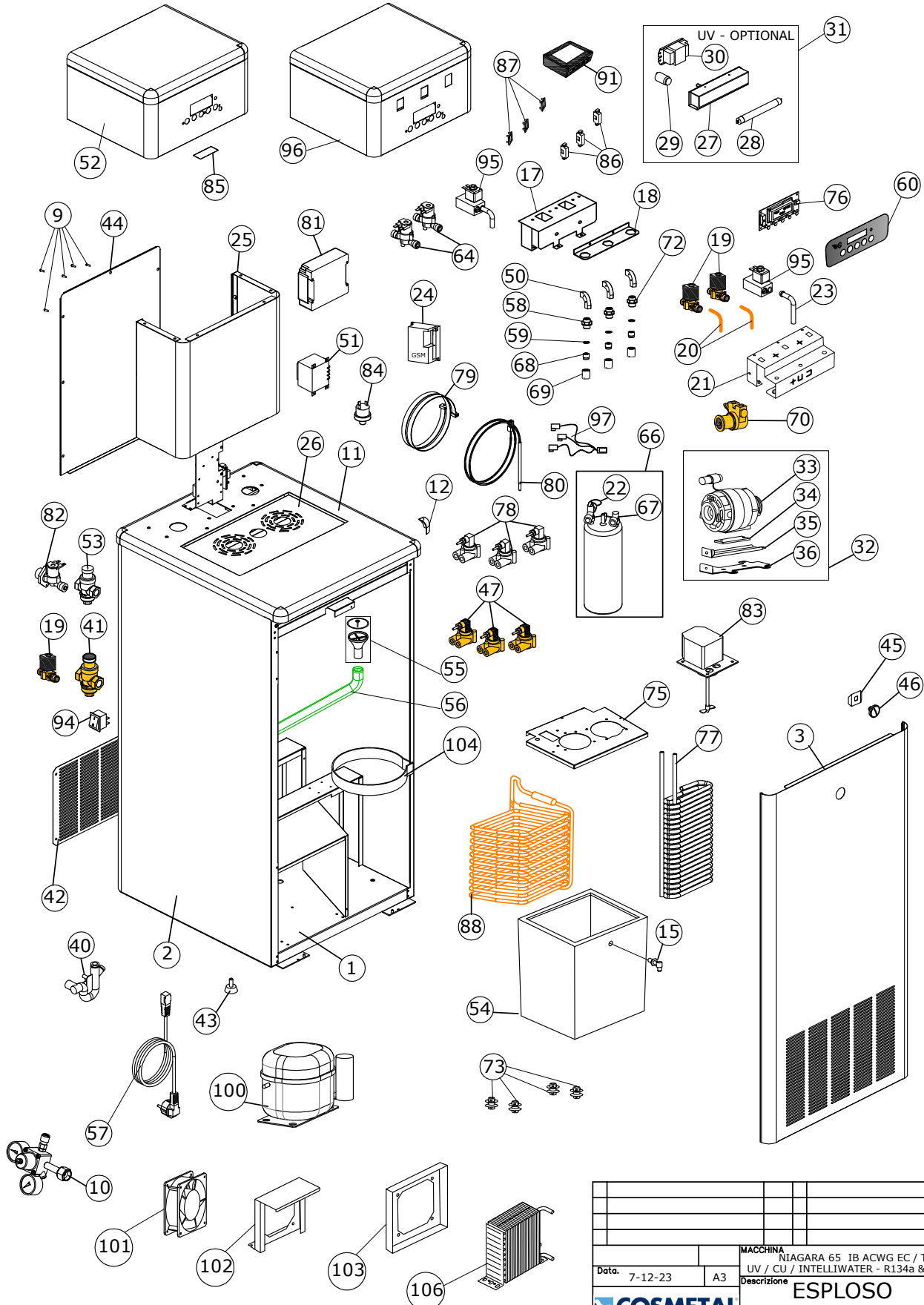
CONSTRUCTION	LIST OF MODELS	FRONT PANEL
FLOORSTANDING	NIAGARA 65 IB AC	MECH.BUTTONS
	NIAGARA 65 IB AC EC	EC DISPLAY MODEL
TOP	NIAGARA TOP 65 IB AC	MECH.BUTTONS
	NIAGARA TOP 65 IB AC EC	EC DISPLAY MODEL

## Beskrivelse

POS:	COSMETAL	CELLI	DESCRIPTION
1	2521442	304387	Inlet fitting 3/4F - STEM 8
2	2661711	304953	Gasket
3	2641138 121291	209443 121291	Safety valve 24V 3/4M-JG8 Alternative safety valve CEME 24V 3/4M - JG8
4	2521360	007363	Straight adaptor 3/8M-8 PM010813E
5	2521433	039747	Elbow super seal 5/16 SM030808S
6	056183	056183	Straight super seal 5/16 SM040808S
8	2521371	007444	Bulkhead connector 8-8 PM1208E
9	2801363	088113	Tube 8 mm LLDPE
10	2521364	046156	TEE JG8 PM0208E
11	2621105	208114	Elbow white small
12	EW-PM220808E	046469	Stem elbow 8-8 PM220808E
14	2521432	304380	Drainage fitting
18	2521362	007362	Straight adaptor 1/4M-8 PM010812E
19	2521474	304405	Drainage connector
20	4741330	306681	Brass nut 1/4
21	=62	=62	
22	2521367	067392	Equal elbow 8-8 PM0308E
23	2521394	304349	Stem Adaptor 1/4M - 8 PM050812E
26	272097	272097	Silicone tube
27	2521515	208095	Water pressure reducer
33	011256	011256	Flow bend clip 8-8 PM2608S
36	2641143 226274	208893 226274	Solenoid valve RPE 24V JG8 in - out Alternative solenoid valve EKI 24V JG8 in - out
38	2521120	304252	Plastic aerator
40	2661526	304943	Gasket for perlator
41	2521119	304251	Nozzle in stainless steel
44	208127	208127	Plastic flowmeter 1/4FF
62	1601327 302638 302637	302636 302638 302637	Stainless steel water coil Niagara 65 Stainless steel water coil Niagara 180 Stainless steel water coil Niagara 120

# Reservedelstegning Niagara gulv 65 IBACWG

## NIAGARA 65 IB ACWG EC / INTELLIWATER / TOUCHLESS / UV / CU - R134a & R290



MACCHINA		NIAGARA 65 IB ACWG EC / TOUCHLESS / UV / CU / INTELLIWATER - R134a & R290	
Data:	7-12-23	A3	Descrizione
COSMETAL		ESPLOSO	
Disegnato da		M.S.	Note

QUESTO DISEGNO È TUTELATO DALLE LEGGI SUL COPYRIGHT - I TRASGRESSORI SARANNO PERSEGUITI A NORMA DI LEGGE

## Beskrivelse

POS:	COSMETAL	CELLI	DESCRIPTION
1	1704122	304010	Base
2	1704161	304050	Cabinet WG model
3	1704115 1704134	209591 210099	Front panel skin plate (C8) Front panel stainless steel (C6)
9	271992	271992	Closure screw M4x12
10	090026	208171	CO2 pressure reducer including fitting 8 mm
11	82801354	308980	Complete sink Niagara WG
12	272063	272063	Stainless steel corner for sink
15	304380	304380	Drainage fitting of ice bank
17	304067	304067	Bracket for plastic solenoid valve
18	304066	304066	Bracket stainless steel with 3 ex hole
19	304836	304836	Brass solenoid valve Olab 24VAC
20	302716	302716	Outlet pipe in copper ø8 mm
21	304117	304117	Bracket foot stainless steel Niagara CU+
22	2521418 2641527 2641526	304368 304902 207944	CO2 in fitting of the carbonator Probe 112 mm with bushing Safety pressure valve
23	305801	305801	Outlet stainless steel pipe for Niagara WG CU
24	306588	306588	GSM PCB board for intelliwater
25	1704135	208082	Column of Niagara FS
26	170110931	208170	Deep grille for drip tray
27	301874	301874	UV box
28	3822913	306396	UV lamp 4W
29	3822503	306334	Starter for UV lamp 230/1/50
30	3822501	210103	Ballast for UV lamp 230/1/50
31	099036	301861	UV kit complete for Niagara
32	214571	214571	Complete replacement kit for SISME motor
33	1761514002	216019	SISME motor 230/1/50
34	213879	213879	Anti-vibrant plate
35	213803	213803	Bracket for motor
36	213957	213957	Lower bracket for motor
40	208169	208169	Siphon
41	304447	304447	Brass water pressure reducer 3/8FF
42	2781706 2781701	305481 305476	Grille for aeration skin plate (C8) Grille for aeration stainless steel (C6)
43	2781319	305159	Adjustable feet
44	1704162	304027	Rear panel
45	272165	272165	Metal spacer for plastic lock
46	2781559	208137	Closure
47	306477	306477	Flowmeter 1/4FF
49	303963	303963	Plate for closure
50	011256	011256	Pipe curve 8 mm - 5/16
51	3825101009 3825101008	207957 306663	Transformer 230 - 24V 30VA Transformer 230 - 24V 40VA
52	307935	307935	Puch button cross piece Niagara EC
53	2521515	208095	Water pressure reducer 3/8FF
54	1702757	280676	Ice bank tank for Niagara 65
55	090096	207929	Funnel sink drain

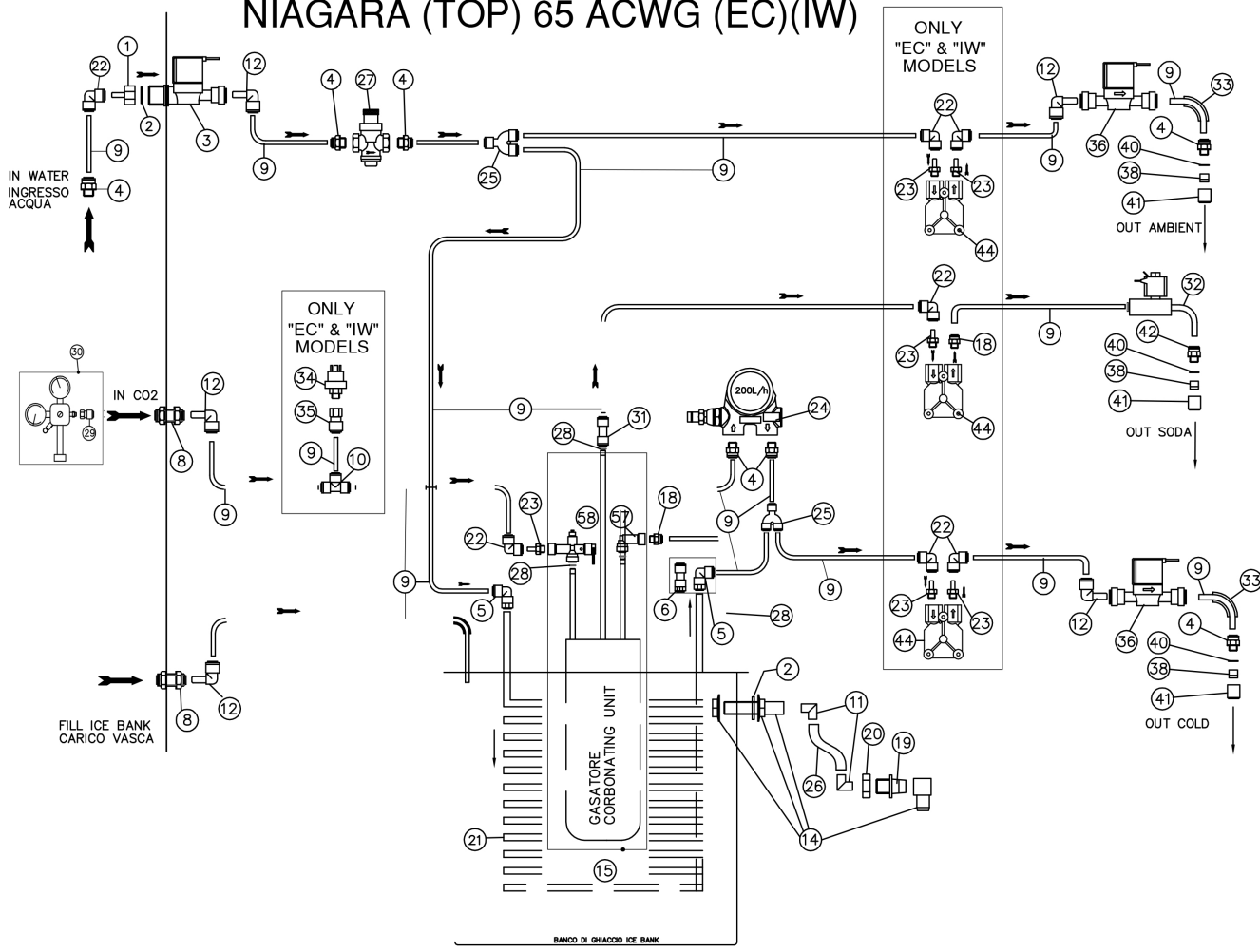










## Beskrivelse

POS:	COSMETAL	CELLI	DESCRIPTION
56	2801318	208098	Drainage tube
57	815614005	272069	Shuko power cord
58	2521360	271982	Straight fitting 3/8M-8
59	2661526	304943	Gasket for aerator
60	307082	307082	Push button adhesive ACWG EC
64	2641143 226274	208893 226274	Solenoid valve RPE 24VAC JG8 in - out Alternative solenoid valve EKI 24VAC JG8 in - out
66	82781169	308960	Carbonating unit 1l included probe in stainless steel
67	2521419	304369	H2O in fitting of the carbonator
68	2521120	304252	Plastic aerator
69	2521119	304251	Nozzle stainless steel
70	1761514002	207937	Pump 200l/h
72	304337	304337	Straight fitting 3/8M-10
73	272026	272026	Anti-vibration for compressor
75	303936	303936	Cover for ice bank of Niagara 65
76	208121	208121	Display PCB with 5 buttons
77	1601327 302713	302636 302713	Water coil stainless steel Niagara 65 Water coil copper Niagara 65
78	208127	208127	Flowmeter
79	209603	209603	Flat cable
80	209603	209603	Temperature sensor
81	208906 306589	208906 306589	New electronic board H2O WG EC PCB Niagara WG EC 644 for intelliwater
82	2641138 226271	209443 226271	Safety valve 24VAC 3/4M-JG8 Alternative safety valve EKI 24VAC 3/4M-JG8
83	17613010	208172	Agitator for Niagara 65 (short)
84	306527	306527	CO2 pressure switch
85	2781561	208174	UV plastic protection
86	107870	107870	Omron light on sensor
87	107863 107862	107863 107862	Clip (int) Clip (ext)
88	1601330 302754	302639 302754	Evaporator Niagara 65 for R134a Evaporator Niagara 65 for R290
91	107924	107924	PCB touch less control
94	3822714 215789	208160 215789	Main switch green for R134a Main switch black for R290
95	099198	304844	Solenoid valve 24VAC for sparkling water with regulator
96	308258	308258	Complete carter for touch less EC version
97	306268	306268	Cable of flowmeter
100	1581181 302493	208940 302493	Compressor Secop TL4G for R134a 230/1/50-60 Compressor Secop TL3CN for R290 230/1/50
101	1761101604	208080	Condenser fan motor 120x120x38 230/1/50
102	303546	303546	Conveyor for fan motor R290
103	303975	303975	Conveyor for fan motor R134a
104	306326	306326	Belt for CO2 cylinder
106	1601127 083615	031358 083615	Condenser R134a Double layer condenser for R290

# Hydrotegning Niagara golv 65 IBACWG

## NIAGARA (TOP) 65 ACWG (EC)(IW)



CONSTRUCTION	LIST OF MODELS	FRONT PANEL	NOTE
 FLOORSTANDING	NIAGARA 65 IB ACWG		
	NIAGARA 65 IB ACWG EC		
	NIAGARA 65 IB ACWG EC IW		INTELLIWATER MODEL
 TOP	NIAGARA TOP 65 IB ACWG		
	NIAGARA TOP 65 IB ACWG EC		
	NIAGARA TOP 65 IB ACWG EC IW		INTELLIWATER MODEL

## Beskrivelse

POS:	COSMETAL	CELLI	DESCRIPTION
1	2521442	304387	Inlet fitting 3/4F - STEM 8
2	2661711	304953	Gasket
3	209443 121291	209443 121291	Safety valve 24V 3/4M-JG8 Alternative safety valve CEME 24V 3/4M - JG8
4	2521360	007363	Straight adaptor 3/8M-8 PM010813E
5	2521433	039747	Elbow super seal 5/16 SM030808S
6	056183	056183	Straight super seal 5/16 SM040808S
8	2521371	007444	Bulkhead connector 8-8 PM1208E
9	2801363	088113	Tube 8 mm LLDPE
10	2521364	046156	TEE JG8 PM0208E
11	2621105	208114	Elbow white small
12	EW-PM220808E	046469	Stem elbow 8-8 PM220808E
14	2521432	304380	Drainage fitting
15	82781169	308960	Carbonating unit with brackets
18	2521362	007362	Straight adaptor 1/4M-8 PM010812E
19	2521474	304405	Drainage connector
20	4741330	306681	Brass nut 1/4
21	1601327	302636	Stainless steel water coil Niagara 65
22	2521367	067392	Equal elbow 8-8 PM0308E
23	2521394	304349	Stem Adaptor 1/4M - 8 PM050812E
24	1761514002	207937	Brass pump 200l/h 3/8FF
25	007050 069514	007050 069514	Y fitting 8 mm PM2308S Alternative Y divider 8 mm RM2308E
26	272097	272097	Silicone tube
27	2521515	208095	Water pressure reducer
28	053845	053845	Clip 5/16
29	011299	011299	Straight adaptor 7/16F-8 PM4508F4S
30	090026	304433	CO2 pressure reducer double gauge
31	2521365	068555	Straight connector 8-8 PM0408E
32	099198	304844	Solenoid valve sparkling water 24VAC JG8
33	011256	011256	Flow bend clip 8-8 PM2608S
34	306527	306527	CO2 pressure switch



# FESTIVO PORKKA

## Colia AS - et selskap i Festivo Porkka Group

Gruppen har en samlet omsetning på cirka NOK 500 millioner og sysselsetter omtrent 300 personer. Vi er representert i UK, Sverige, Norge, Øst Europa og Sentral Europa. Hovedkontoret samt fabrikker er lokalisert i Finland.

Alle produktene i Porkka`s sortiment selges kun gjennom Colia AS. I tillegg importerer vi kjente merkevarer som Migel (Porkka) ismaskiner, Sinofcold, Liebherr, Igloo, Asber, Cosmetal, Vestfrost, Elcold osv.

Vår visjon er å levere produkter med høy kvalitet og yte god service til våre kunder.

---

# °COLIA

Colia AS  
Ringeriksveien 16, 3414 Lierbyen

post@colia.no | www.colia.no | +47 66 98 77 77